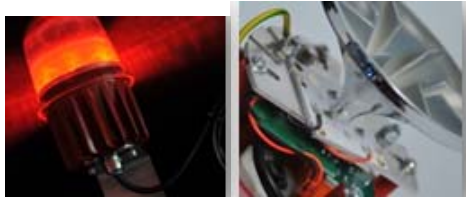




Obstructions Lights

Made
n
Safety

Low Intensity LED LBIA TYPE A > 10 Cd – 230V AC



Description:

The LBIA is based on multi-LEDs technology. Dedicated to a night beaconing, it is a long life beacon (100 000 hours), very strong, with a low consumption (3w).

The LBIA can be provided with photocell for an automatic switch ON/OFF, and a dry contact for failure alarm.

The LBIA can be solar power supplied for an environmentally friendly system.

It has been designed for an easy installation.

Advantages :

- Long life time > 10 years
- Multi – LEDs
- Low consumption < 3W
- Lightning protection
- Auto test cycling when the photocell is integrated
- No maintenance
- 2 year warranty

Applications :

Rules concerning aircraft beaconing are established by the ICAO

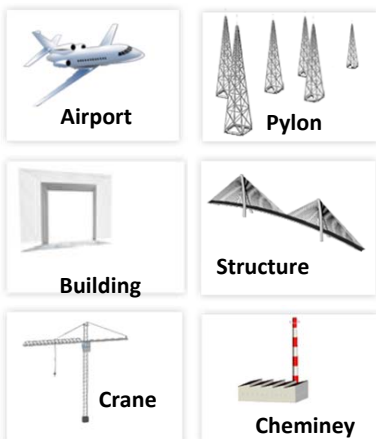
Low intensity beacons can be installed on structures up to 45 meters.

According to the rules, an uninterruptible power supply cabinet has to be installed to insure a 12 hour beaconing in case of power supply failure.

Regulations:

- OACI, STAC N° 2010A012
- CE

Scope of application:



Models

Model	Voltage	Photocell	Dry contact
LBIA00MC	110-240V AC	Not included	Not included
LBIA01MC	110-240V AC	Not included	Included
LBIA11MC	110-240V AC	Included	Included

DOC105a.VEN-Rev1



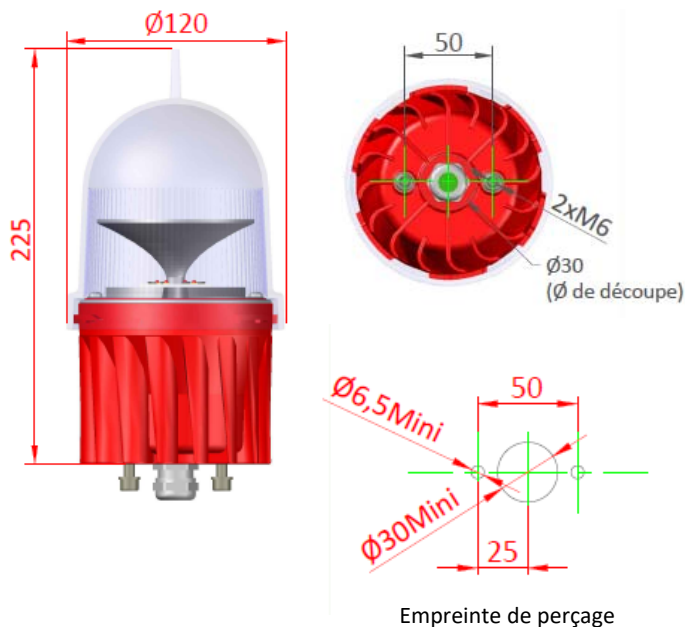
Low Intensity LED

LBIA TYPE A > 10 Cd – 230V AC

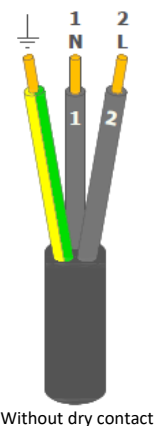
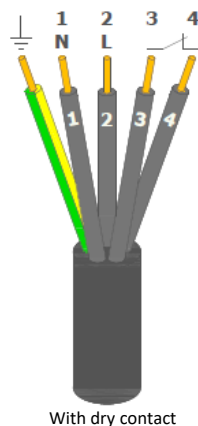
Characteristics

Luminous	
Luminous source	LEDs
Colour	Red
Horizontal beam	360°
Vertical beam	10°
Luminous intensity	>10 Cd
MTBF	100 000 Hours
Electrics	
Voltage	110 à 240V AC
Lightning protection	Integrated
Functioning temperature	-55°C to +55°C
Consumption	<3 Watts
Current Imax	10mA
Protection class	IP66
Cable	2 meters
Mechanicals	
Body material	Aluminium
Lens material	Polycarbonate with peak against birds
Fixation	Screw M6
Height	225mm
Wight	120mm
Weight	<1.5 Kg
Environment	
Humidity	100%
Gel	-60°C
Wind speed	240 Km/h
Certifications	
CE	EN60947-1 CEI60364, NF C15-100 EN60529
OACI	Annexe 14, Volume I, Chapter 6
Warranty	
	2 years
Quality	ISO 9001 ; 2008
Options	
	Photocell integrated
	Dry contact for failure alarm integrated

Dimensions :



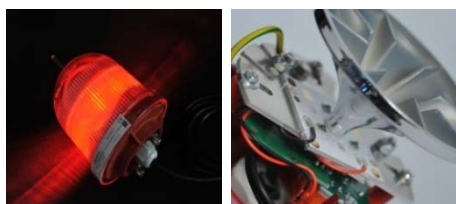
Wiring



Available accessories for installation

- Stainless steel mounting
- Driving box
- Power supply
- Safety power supply
- Solar kit

Low Intensity LED LBIA TYPE A > 10 Cd – DC



Description:

The LBIA is based on multi-LEDs technology. Dedicated to a night beaoning, it is a long life beacon (100 000 hours), very strong, with a low consumption (<3w).

The LBIA can be provided with photocell for an automatic switch ON/OFF, and a dry contact for failure alarm.

The LBIA can be solar power supplied for an environmentally friendly system.

It has been designed for an easy installation.

Advantages :

- Long life time > 10 years
- Multi – LEDs
- Low consumption < 3W
- Lightning protection
- Auto test cycling when the photocell is integrated
- No maintenance
- 2 year warranty

Applications :

Rules concerning aircraft beaoning are established by the ICAO

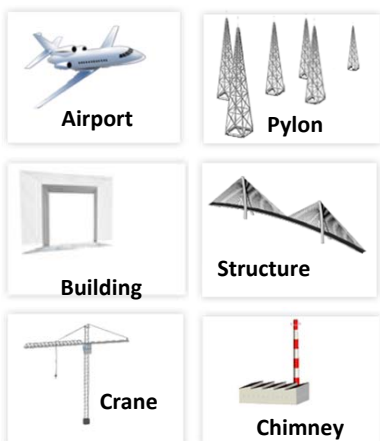
Low intensity beacons can be installed on structures up to 45 meters.

According to the rules, an uninterruptible power supply cabinet has to be installed to insure a 12 hour beaoning in case of power supply failure.

Regulations:

- OACI, STAC N° 2010A012
- CE

Scope of application



Models

Model	Voltage	Photocell	Dry contact
LBIA00CC	12 to 48V DC	Not included	Not included
LBIA01AC	24V DC	Not included	Included
LBIA11AC	24V DC	Included	Included
LBIA01BC	48V DC	Not included	Included
LBIA11BC	48V DC	Included	Included

DOC106a.VEN-Rev1

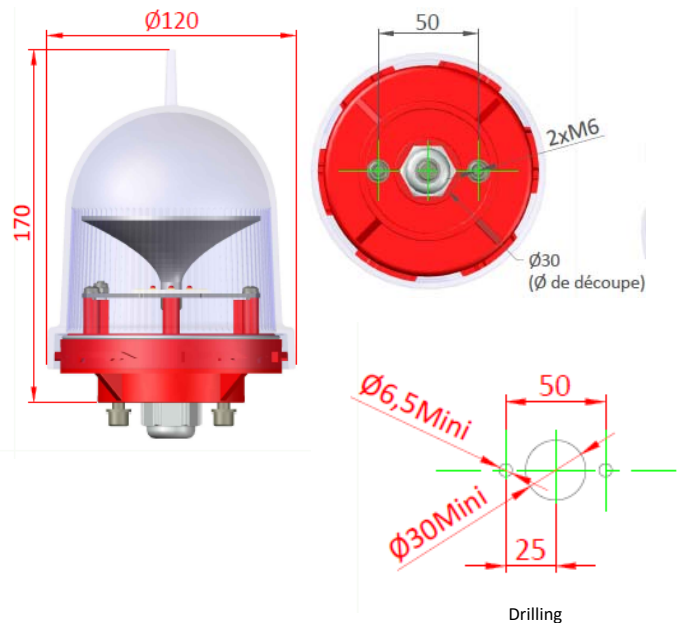


Low Intensity LED LBIA TYPE A > 10 Cd – DC

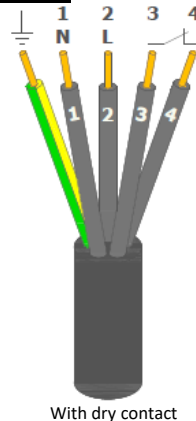
Characteristics

Luminous	
Luminous source	LEDs
Colour	Red
Horizontal beam	360°
Vertical beam	10°
Luminous intensity	>10 Cd
MTBF	100 000 Hours
Electrics	
Voltage	12, 24, 48V DC
Lightning protection	Integrated
Functioning temperature	-55°C to +55°C
Consumption	<3 Watts
Current I _{max}	To 12V : I=150mA To 24V : I=1000mA To 48V : I=500mA
Protection class	IP66
Cable	2 meters
Mechanical	
Body material	Composite
Lens material	Polycarbonate with peak against birds
Fixation	M6 screw (included)
Height	170mm
Width	120mm
Screw spacing	50mm
Weight	<1 Kg
Environment	
Humidity	100%
Gel	-60°C
Wind speed	240 Km/h
Certifications	
CE	EN60947-1 CEI60364, NF C15-100 EN60529
OACI	Annexe 14, Volume I, Chapter 6
Warranty	
Quality	2 years
Options	ISO 9001 ; 2008 Photocell integrated Dry contact for failure alarm integrated

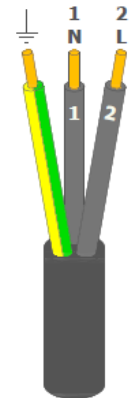
Dimensions :



Wiring



With dry contact



Without dry contact

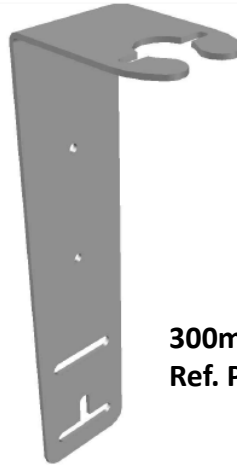
Available accessories for installation

- Stainless steel mounting
- Driving box
- Power supply
- UPS system
- Solar kit

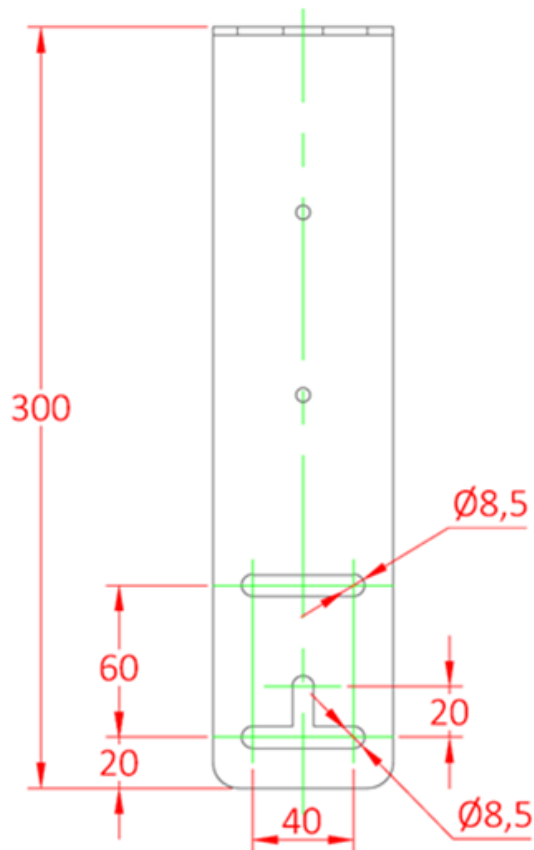
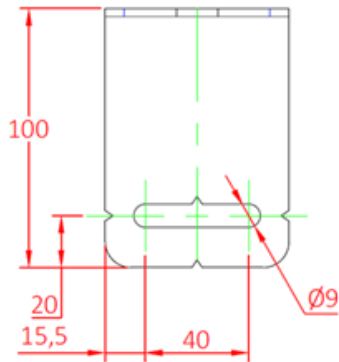
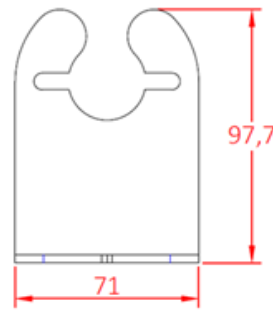
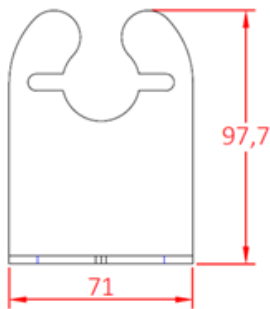
Mounting bracket for Low Intensity Lights



100mm Mounting bracket
Ref. P89743



300mm Mounting bracket
Ref. P89744



DOC104a.VEN-Rev1



Low Intensity LED LBIA TYPE A > 10 Cd – Twiny



Description:

The TWINY is a one block beacon, equipped with the exclusive redundant system. For a safety installation, its automatic test is launched every day. With the LEDs technology, it offers performances in terms of life time (100 000 hours), robustness and consumption (<3W).

The LBIA TWINY can be solar power supplied for an environmentally friendly system.

The specific design of the box is the most convenient solution on the market for installation: mounting frame is a part of the box and the light position could be adjusted in the suitable position.

Advantages :

- Long life time > 10 years
- Multi – LEDs
- Low consumption < 3W
- Lightning protection
- Automatics test checks the well-functioning of the both lights
- No maintenance
- 2 year warranty

Regulations:

- OACI, STAC N° 2010A020
- CE
- FAA Compliant L810

Scope of application:



Applications :

Rules concerning aircraft beaoning are established by the ICAO

Low intensity beacons can be installed on structures up to 45 meters.

According to the rules, an uninterruptible power supply cabinet has to be installed to insure a 12 hour beaoning in case of power supply failure.

Models

Model	Voltage	Photocell	Dry contact
LBIATWCB	48V DC	Included	Included
LBIATWMB	110-240V AC	Included	Included

DOC108a.VEN-Rev1

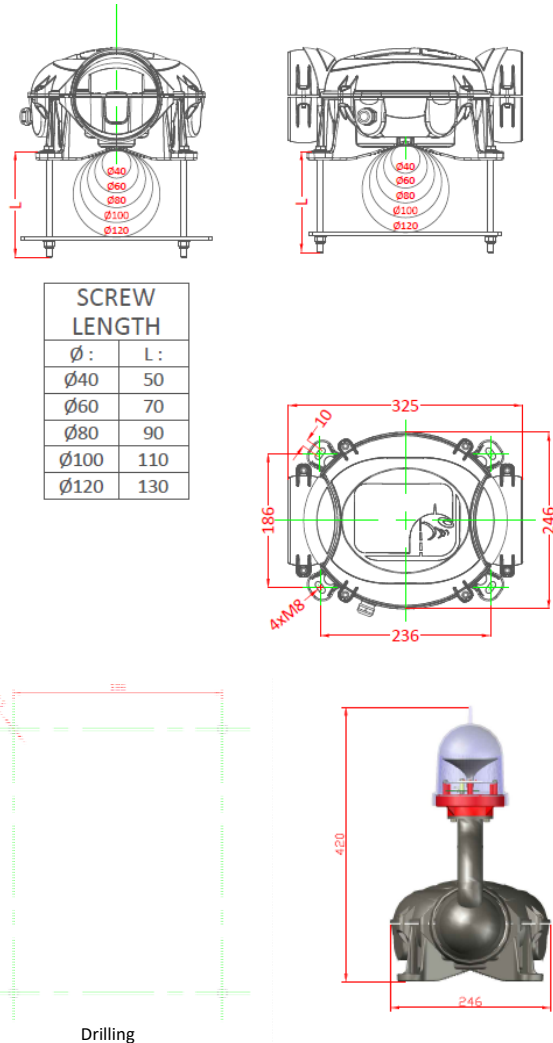


Low Intensity LED LBIA TYPE A > 10 Cd – Twiny

Characteristics

Luminous	
Luminous source	LEDs
Colour	Red
Horizontal beam	360°
Vertical beam	10°
Luminous intensity	>10 Cd
MTBF	100 000 Hours
Electrics	
Voltage	48V DC / 110-240V AC
Lightning protection	Integrated
Functioning temperature	-55°C to +55°C
Consumption	<3 Watts
Current Imax	To 48V : I=50mA To 230V : I=10mA
Protection class	IP68
Mechanicals	
Box material	Zamac
Body lamp material	Composite
Lens material	Polycarbonate with bird spike
Fixation	M8 screw
Height	420mm
Weight	<5 Kg
Environment	
Humidity	100%
Gel	-60°C
Wind speed	240 Km/h
Certifications	
CE	EN60947-1 CEI60364, NF C15-100 EN60529
OACI	Annexe 14, Volume I, Chapter 6
Warranty	2years
Quality	ISO 9001 ; 2008

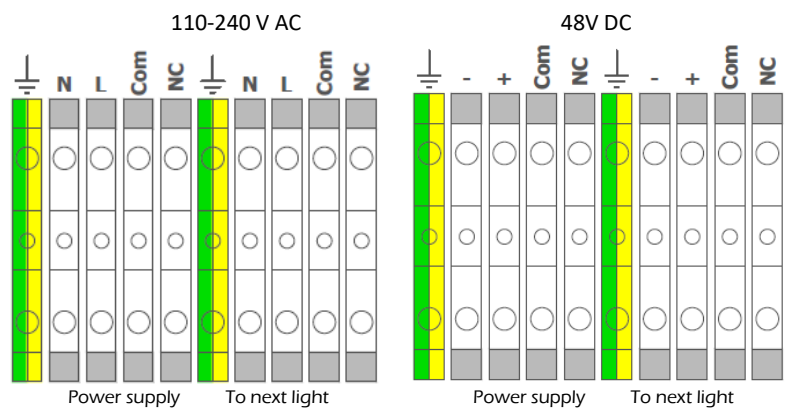
Dimensions :



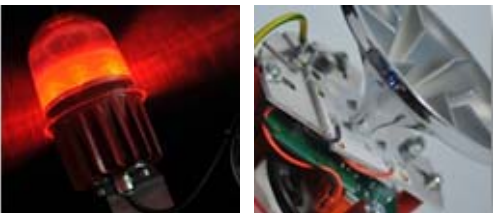
Available accessories for installation

- Power supply
- Safety power supply
- Solar kit

Wiring



Low intensity LED LBIB TYPE B >32 Cd – AC



Description:

The LEDEOBIB is based on multi-LEDs technology. Dedicated to a night beaoning, it is a long life beacon (100 000 hours), very strong with a long consumption (<6w).

The LEDEOBIB can be provided with photocell for an automatic switch ON/OFF, and a dry contact for failure alarm.

The LEDEOBIB can be solar power supplied for an environmentally friendly system.

It has been designed for an easy installation.

Advantages :

- Long life time > 10 years
- Multi – LEDs
- Low consumption < 6W
- Lightning protection
- Auto test cycling when the photocell is integrated
- No maintenance
- 2 year warranty

Applications :

Rules concerning aircraft beaoning are established by the ICAO

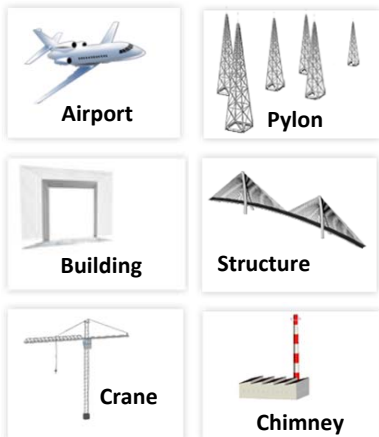
Low intensity beacons can be installed on structures up to 45 meters.

According to the rules, an uninterruptible power supply cabinet has to be installed to insure a 12 hour beaoning in case of power supply failure.

Regulations:

- OACI, STAC N° 2010A020
- CE
- FAA Compliant L810

Scope of application:



Models

Model	Voltage	Photocell	Dry contact
LBIB00MC	110 - 240V CA	Not included	Not included
LBIB01MC	110 - 240V CA	Not included	Included
LBIB11MC	110 - 240V CA	Included	Included

DOC110a.VEN-Rev1

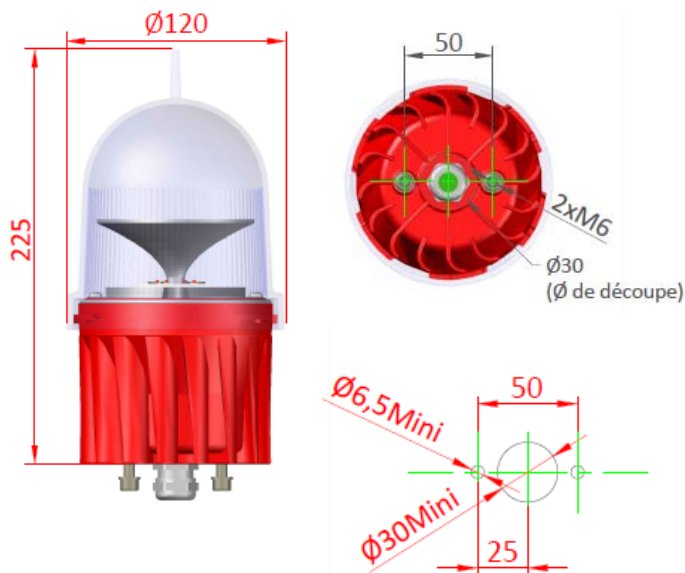


Low intensity LED LBIB TYPE B > 32 Cd – AC

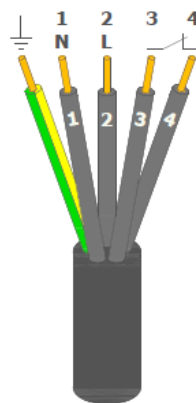
Characteristics

Luminous	
Luminous source	LEDs
Colour	Red
Horizontal beam	360°
Vertical beam	10°
Luminous intensity	>32 Cd
MTBF	100 000 Hours
Electrics	
Voltage	110 à 230V CA
Lightning protection	Integrated
Functioning temperature	-55°C to +55°C
Consumption	<6 Watts
Current Imax	I=23mA
Protection class	IP66
Cable	2 meters
Mechanicals	
Body material	Aluminium
Lens material	Polycarbonate with bird spike
Fixation	Screw M6 (included)
Height	225mm
Width	120mm
Weight	<1.5 Kg
Environment	
Humidity	100%
Gel	-60°C
Wind speed	240 Km/h
Certifications	
CE	EN60947-1 CEI60364, NF C15-100 EN60529
OACI	Annexe 14, Volume I, Chapter 6
Quality	ISO 9001 ; 2008
FAA	Compliant L-810
Warranty	2years
Options	Photocell integrated Dry contact for failure alarm integrated

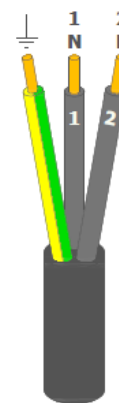
Dimensions :



Wiring



With dry contact

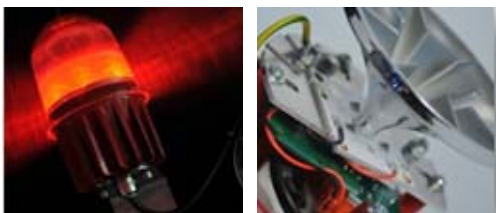


Without dry contact

Available accessories for installation

- Stainless steel mounting
- Driving box
- Power supply
- UPS system
- Solar kit

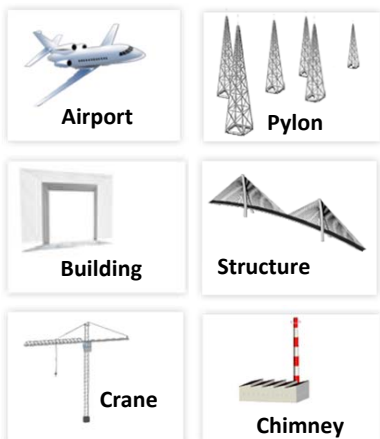
Low intensity LED LBIB TYPE B >32 Cd – DC



Regulations:

- OACI, STAC N° 2010A020
- CE
- FAA Compliant L810

Scope of application:



Description:

The LBIB is based on multi-LEDs technology. Dedicated to a night beaconing, it is a long life beacon (100 000 hours), very strong with a long consumption (<6w).

The LBIB can be provided with photocell for an automatic switch ON/OFF, and a dry contact for failure alarm.

The LBIB can be solar power supplied for an environmentally friendly system.

It has been designed for an easy installation.

Advantages :

- Long life time > 10 years
- Multi – LEDs
- Low consumption < 6W
- Lightning protection
- Auto test cycling when the photocell is integrated
- No maintenance
- 2 year warranty

Applications :

Rules concerning aircraft beaconing are established by the ICAO

Low intensity beacons can be installed on structures up to 45 meters.

According to the rules, an uninterruptible power supply cabinet has to be installed to insure a 12 hour beaconing in case of power supply failure.

Models

Model	Voltage	Photocell	Dry contact
LBIB00DC	24 to 48V DC	Not included	Not included
LBIB01AC	24V DC	Not included	Included
LBIB11AC	24V DC	Included	Included
LBIB01BC	48V DC	Not included	Included
LBIB11BC	48V DC	Included	Included

DOC111a.VEN-Rev1



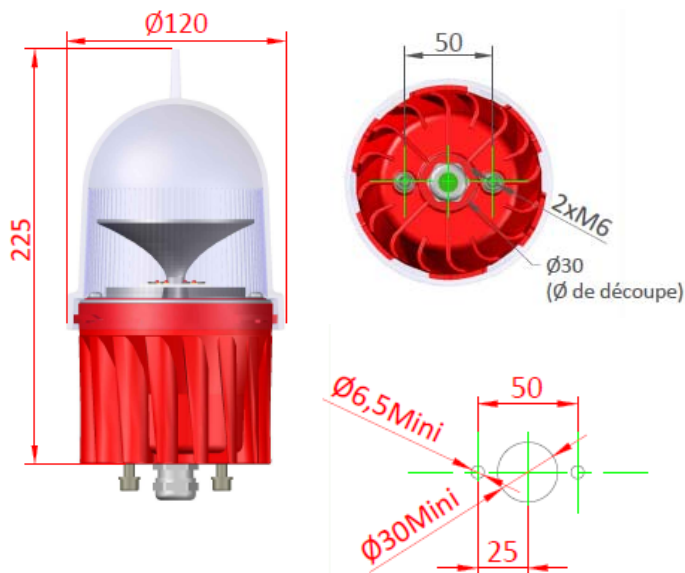
Low intensity LED LBIB TYPE B >32 Cd – DC

Characteristics

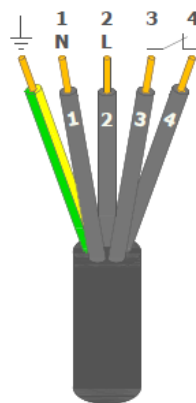
Luminous	
Luminous source	LEDs
Colour	Red
Horizontal beam	360°
Vertical beam	10°
Luminous intensity	>32 Cd
MTBF	100 000 Hours
Electrics	
Voltage	24, 48V DC
Lightning protection	Integrated
Functioning temperature	-55°C to +55°C
Consumption	<6 Watts
Current Imax	To 24V : I=220mA To 48V : I=110mA
Protection class	IP66
Cable	2 meters
Mechanicals	
Body material	Aluminium
Lens material	Polycarbonate with peak against birds
Fixation	M6 screw (included)
Height	225mm
Width	120mm
Weight	<1.5 Kg
Environment	
Humidity	100%
Gel	-60°C
Wind speed	240 Km/h
Certifications	
CE	EN60947-1 CEI60364, NF C15-100 EN60529
OACI	Annexe 14, Volume I, Chapter 6
Quality	ISO 9001 ; 2008
FAA	Compliant L-810
Warranty	2 years
Options	Photocell integrated Dry contact for failure alarm integrated

*as per installation conditions

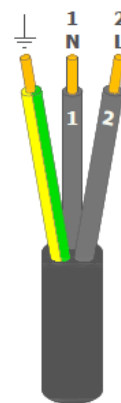
Dimensions :



Wiring



With dry contact

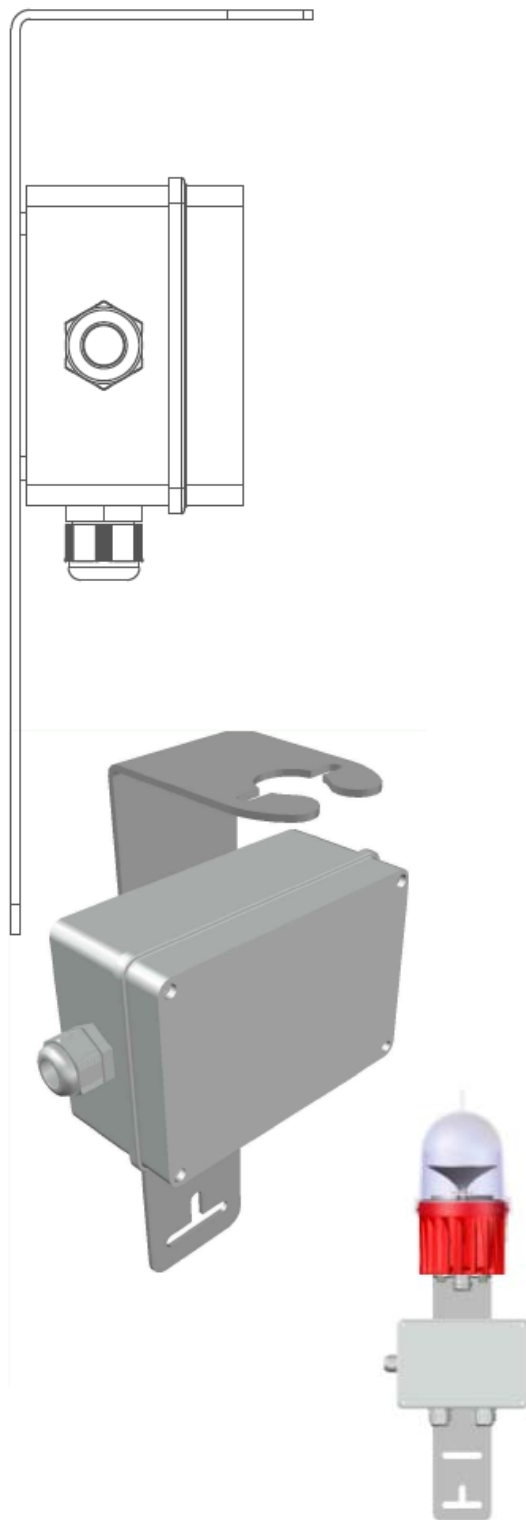
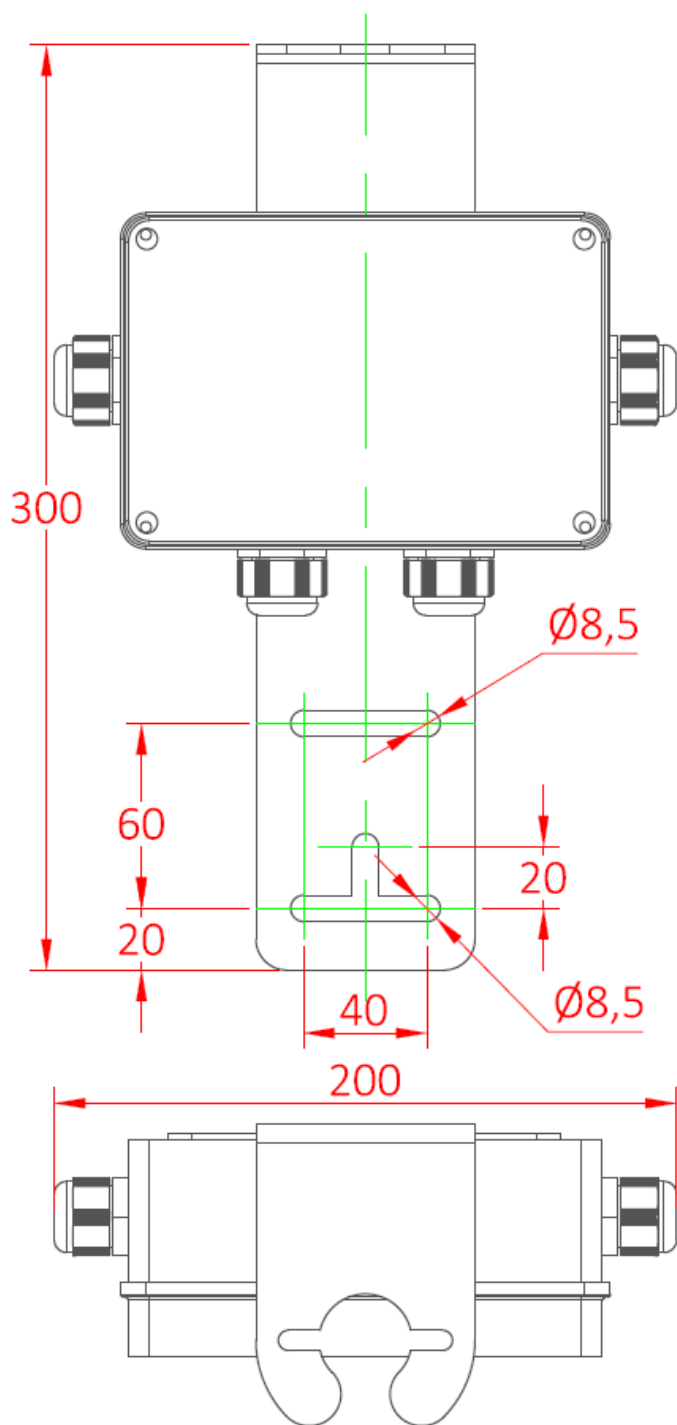


Without dry contact

Available accessories for installation

- Stainless steel mounting
- Driving box
- Power supply
- UPS system
- Solar kit

Mounting Bracket Junction Box



Application:
LBIA Lights on bracket



Low Intensity LED LBIB TYPE B > 32 Cd – Twiny



Description:

The TWINY is a one block beacon, equipped with the exclusive redundant system. For a safety installation, its automatic test is launched every day. With the LEDs technology, it offers performances in terms of life time (100 000 hours), robustness and consumption (<6W).

The LBIB TWINY can be solar power supplied for an environmentally friendly system.

The specific design of the box is the most convenient solution on the market for installation: mounting frame is a part of the box and the light position could be adjusted in the suitable position.

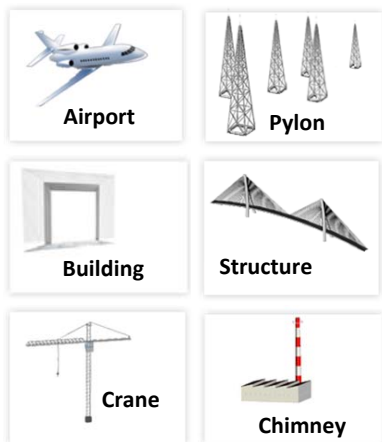
Advantages :

- Long life time > 10 years
- Multi – LEDs
- Low consumption < 6W
- Lightning protection
- Delta Box exclusive self-test included with photocell
- No maintenance
- 2 year warrant
- Zamac box with epoxy powder painting

Regulation:

- OACI, STAC N° 2010A020
- CE
- FAA Compliant L-810

Scope of application:



Applications :

Rules concerning aircraft beaconing are established by the ICAO

Low intensity beacons can be installed on structures up to 45 meters.

According to the rules, an uninterruptible power supply cabinet has to be installed to insure a 12 hour beaconing in case of power supply failure.

Models

Model	Voltage	Photocell	Dry contact
LBIBTWCB	48V DC	Included	Included
LBIBTWMB	110-240V AC	Included	Included

DOC113a.VEN-Rev1

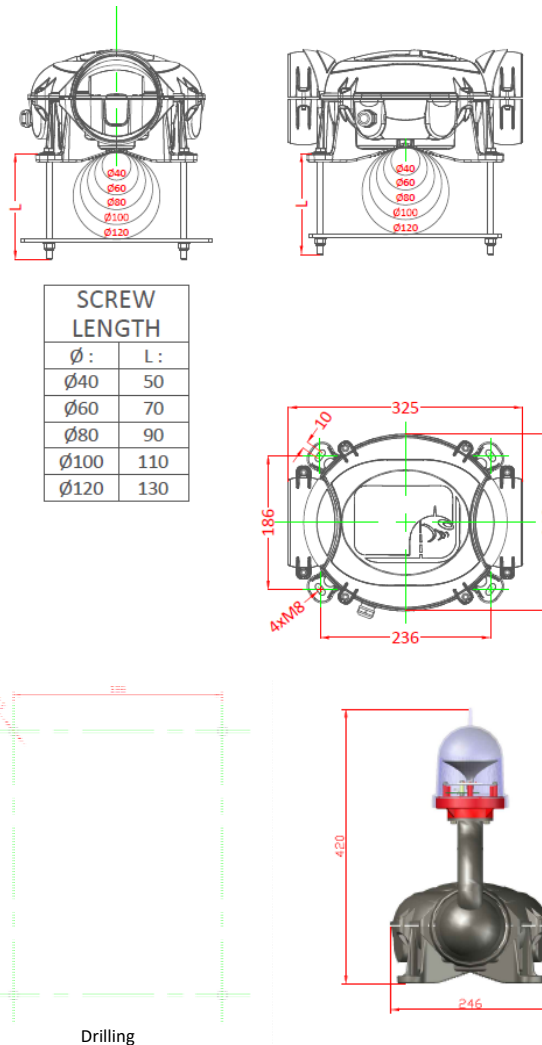


Low Intensity LED LBIB TYPE B > 32 Cd – Twiny

Characteristics

Luminous	
Luminous source	LEDs
Colour	Red
Horizontal beam	360°
Vertical beam	10°
Luminous intensity	>32 Cd
MTBF	100 000 Hours
Electrics	
Voltage	48V DC / 110-240V AC
Lightning protection	Integrated
Functioning temperature	-55°C to +55°C
Consumption	<6 Watts
Current I _{max}	To 48V : I=110mA To 230V : I=25mA
Protection class	IP66
Mechanicals	
Box material	Zamac
Body lamp material	Aluminum
Lens material	Polycarbonate with bird spike
Fixation	M8 screw
Height	477mm
Weight	<8 Kg
Environment	
Humidity	100%
Gel	-60°C
Wind speed	240 Km/h
Certifications	
OACI	Annexe 14, Volume I, Chapter 6
CE	EN60947-1 CEI60364, NF C15-100 EN60529
Warranty	2 years
Quality	ISO 9001 ; 2008

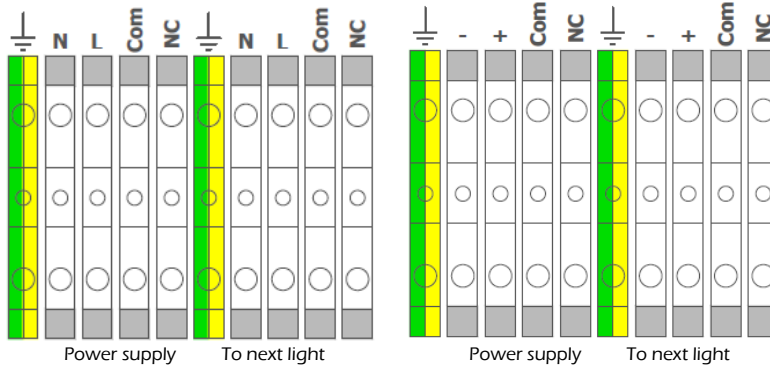
Dimensions :



Wiring

230V CA

24V, 48V CC



Available accessories for installation

- Power supply
- Safety power supply
- Solar kit

DOC113a.VEN-Rev1

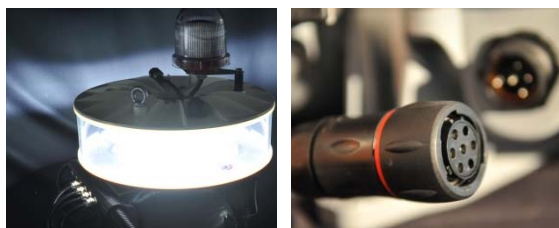


©INDELEC SA – 61 Chemin des postes DOUAI - Tel +33 327 944 952 - www.indelec.com

Non contractual document - INDELEC reserves the right to modify its product design, dimensions, weight as well as the illustrations without prior notice.



Medium Intensity LED LMIA Type A – White Flash



Description:

The LMIA is a medium intensity light with multi-LEDs technology, developed with an aluminium design for a natural fresh cooling system. Dedicated to a day and night white flash beaconing, it is a long life system (100 000 Hours), very strong with a low consumption (20w up to 90w).

The LMIA is provided with photocell for an automatic switch ON/OFF, and a dry contact for failure alarm.

Moreover, it can be solar power supplied.

It has been designed for an easy installation.

Advantages :

- Wired synchronization integrated, optical fiber, GPS and TCPIP available
- Long life time > 10 years
- Multi – LEDs
- Average consumption < 45W
- Lightning protection
- Automatics test sequence included with photocell
- No maintenance
- 2 year warranty
- Zamac box with epoxy powder painting
- Connection plug IP68, in option

Applications :

Rules concerning aircraft beaconing are established by the ICAO

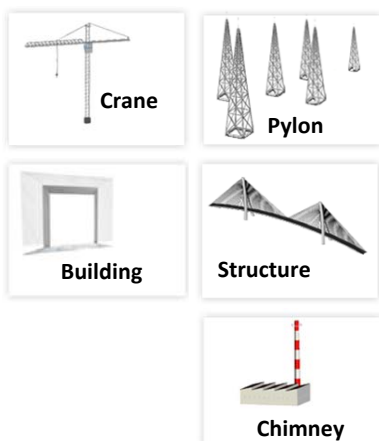
Medium intensity lights can be installed on structures up to 150 meters high. Beyond 90 meters, it is necessary to plan several levels of lights.

According to the rules, an uninterruptible power supply cabinet has to be installed to assure a 12 hour beaconing in case of power supply failure.

Regulations:

- OACI, STAC N° 2010A022
- CE
- FAA Compliant L865

Scope of application:



Models

Model	Voltage	Photocell	Dry contact
LMIA00BB*	48V DC	Not included	Not included
LMIA11BB	48V DC	Included	Included
LMIA00MB*	110-240V AC	Not included	Not included
LMIA11MB	110-240V AC	Included	Included

*To be installed with a safebox or a solar power supply or or GPS

DOC116a.VEN-Rev1

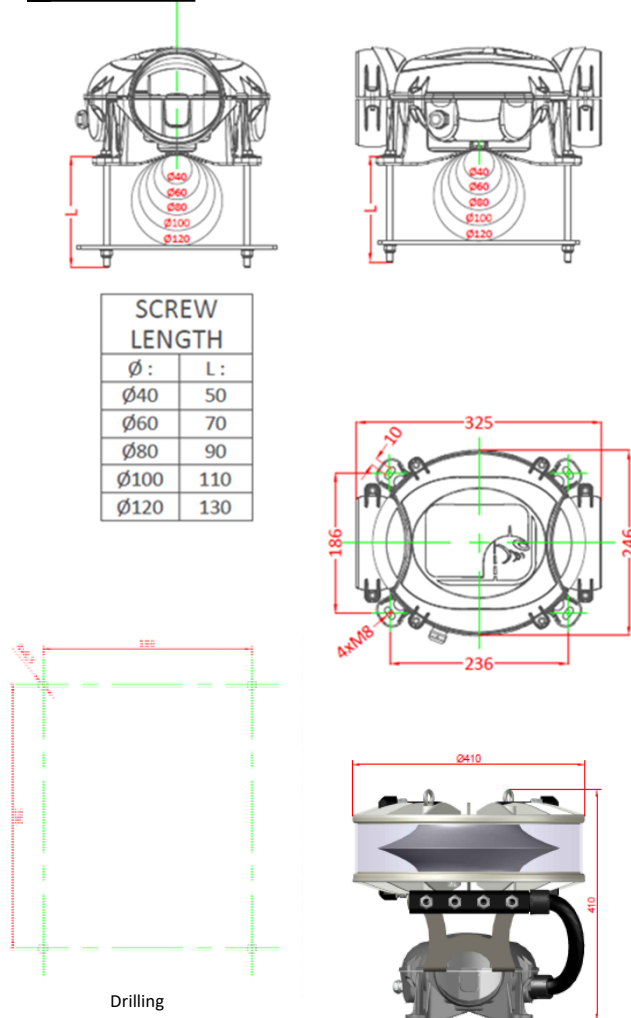


Medium Intensity LED LMIA Type A – White Flash

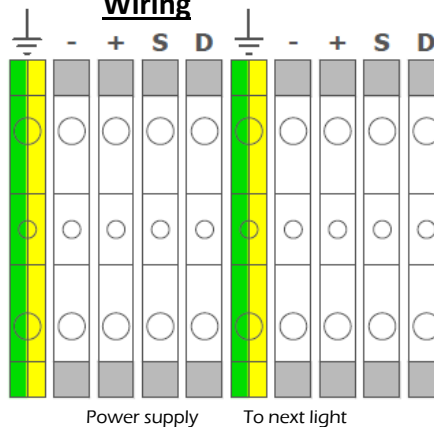
Characteristics

Luminous	
Luminous source	LEDs
Colour	White flash
Horizontal beam	360°
Vertical beam	3°
Luminous intensity	20 000 Cd Day 2 000 Cd Night
Flash frequency	20 to 60 fpm
MTBF	100 000 Hours
Electrics	
Voltage	48V DC / 110-240V AC
Lighting protection	Integrated
Functioning temperature	-55°C to +55°C
Day Consumption max	<40 Watts at 20 fpm
Night Consumption max	<15 Watts at 20 fpm
Courant I _{max}	To 48V: I=4400mA To 230V: I=1000mA
Protection class	IP66
Mechanicals	
Box material	Zamac
Body lamp material	Aluminium
Lens material	Polycarbonate
Mounting	M8 screw
Height	410mm
Width	410mm
Weight	18 Kg
Environment	
Humidity	100%
Gel	-60°C
Wind speed	240 Km/h
Certifications	
CE	EN60947-1 CEI60364, NF C15-100 EN60529
OACI	Annexe 14, Volume I, Chapter 6
FAA	Compliant L-865
Quality	ISO 9001 ; 2008
Options	
	Photocell integrated Dry contact for failure alarm integrated

Dimensions :



Wiring



Available accessories for installation

- Power supply
- UPS system
- Solar kit

DOC116a.VEN-Rev1



©INDELEC SA – 61 Chemin des postes DOUAI - Tel +33 327 944 952 - www.indelec.com

Non contractual document - INDELEC reserves the right to modify its product design, dimensions, weight as well as the illustrations without prior notice.



Medium Intensity LED LMIB Type B – Red Flash



Description:

The LMIA is a medium intensity light with multi-LEDs technology, developed with an aluminium design for a natural fresh cooling system. Dedicated to a day and night white flash beaconing, it is a long life system (100 000 Hours), very strong with a low consumption (20w).

The LMIA is provided with photocell for an automatic switch ON/OFF, and a dry contact for failure alarm.

Moreover, it can be solar power supplied.

It has been designed for an easy installation.

Advantages :

- Wired synchronization integrated, optical fiber, GPS and TCPIP available
- Long life time > 10 years
- Multi – LEDs
- Low consumption < 20W
- Lightning protection
- Delta Box exclusive self test included with photocell
- No maintenance
- 2 year warranty
- Zamac box with epoxy powder painting
- Connection plug IP68, in option

Applications :

Rules concerning aircraft beaconing are established by the ICAO

Medium intensity lights can be installed on structures up to 150 meters high. Beyond 90 meters, it is necessary to plan several levels of lights.

According to the rules, an uninterruptible power supply cabinet has to be installed to assure a 12 hour beaconing in case of power supply failure.

Models

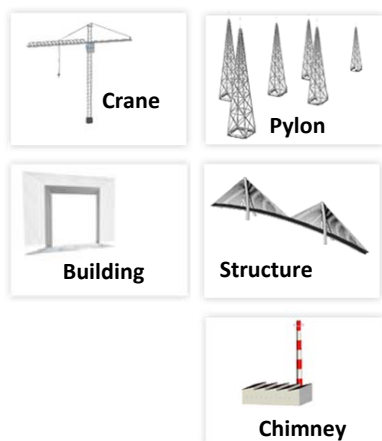
Model	Voltage	Photocell	Dry contact
LMIB00BB*	48V DC	Not included	Not included
LMIB11BB	48V DC	Included	Included
LMIB00MB*	110-240V AC	Not included	Not included
LMIB11MB	110-240V AC	Included	Included

*to installed with Safebox or solar power supply or GPS

Regulations:

- OACI, STAC N° 2013A045
- CE
- FAA Compliant L864

Scope of application:



DOC117a.VEN-Rev1

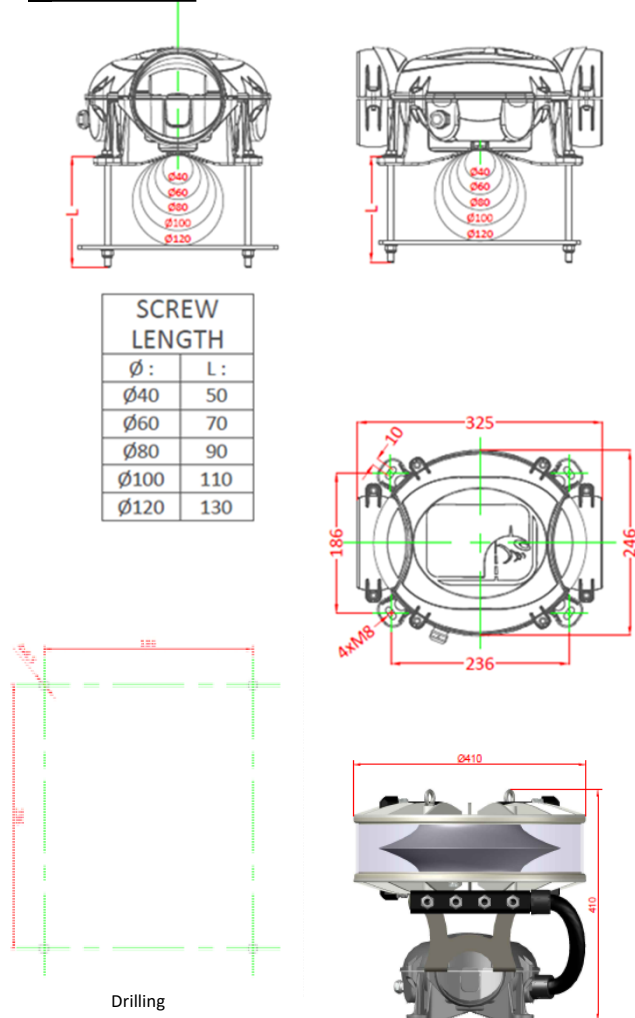


Medium Intensity LED LMIB Type B – Red Flash

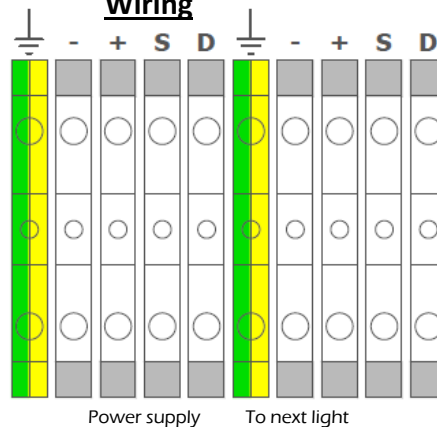
Characteristics

Luminous	
Luminous source	LEDs
Colour	Red flash
Horizontal beam	360°
Vertical beam	3°
Luminous intensity	2 000 Cd
Flash frequency	20 to 60 fpm
MTBF	100 000 Hours
Electrics	
Voltage	48V DC / 110-240V AC
Lightning protection	Integrated
Functioning temperature	-55°C to +55°C
Medium consumption	<15 Watts to 20 fpm
Current I _{max}	To 48V : I=1500mA To 230V : I=350mA
Protection class	IP66
Mechanicals	
Box material	Zamac
Body lamp material	Aluminium
Lens material	Polycarbonate
Mounting	M8 screw
Height	365mm
Width	410mm
Weight	16 Kg
Environment	
Humidity	100%
Gel	-60°C
Wind speed	240 Km/h
Certifications	
CE	EN60947-1 CEI60364, NF C15-100 EN60529
OACI	Annexe 14, Volume I, Chapter 6
FAA	Compliant L-864
Quality	ISO 9001 ; 2008
Warranty	2 years
Options	Photocell Dry contact for failure alarm

Dimensions :



Wiring



Available accessories for installation

- Power supply
- UPS system
- Solar kit

Medium Intensity LED LMIC Type C – Red Steady



Description:

The LMIC is a medium intensity light with multi-LEDs technology, developed with an aluminium design for a natural fresh cooling system. Dedicated to a day and night red flash beaconing, it is a long life system (100 000 Hours), very strong with a low consumption (50w).

The LMIC is provided with photocell for an automatic switch ON/OFF, and a dry contact for failure alarm.

Moreover, it can be solar power supplied.

It has been designed for an easy installation.

Advantages :

- Wired synchronization integrated, optical fiber, GPS and TCPIP available
- Long life time > 10 years
- Multi – LEDs
- Low consumption < 50W
- Lightning protection
- Delta Box exclusive self test included with photocell
- No maintenance
- 2 year warranty
- Zamac box with epoxy powder painting
- Connection plug IP68, in option

Applications :

Rules concerning aircraft beaconing are established by the ICAO

Medium intensity lights can be installed on structures up to 150 meters high. Beyond 90 meters, it is necessary to plan several levels of lights.

According to the rules, an uninterruptible power supply cabinet has to be installed to assure a 12 hour beaconing in case of power supply failure.

Models

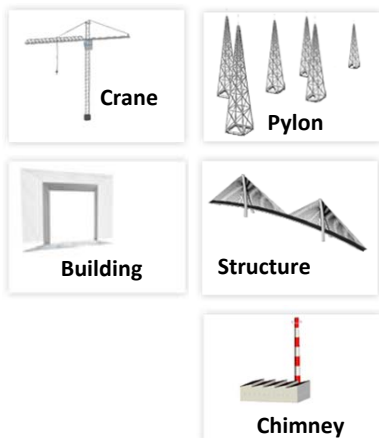
Model	Voltage	Photocell	Dry contact
LMIC00BB*	48V DC	Not included	Not included
LMIC11BB	48V DC	Included	Included
LMIC00MB*	110-240V AC	Not included	Not included
LMIC11MB	110-240V AC	Included	Included

*to installed with Safebox or solar power supply or GPS

Regulations:

- OACI, STAC N° 2013A045
- CE
- FAA Compliant L-864

Scope of application:



DOC121a.VEN-Rev1



©INDELEC SA – 61 Chemin des postes DOUAI - Tel +33 327 944 952 - www.indelec.com

Non contractual document - INDELEC reserves the right to modify its product design, dimensions, weight as well as the illustrations without prior notice.

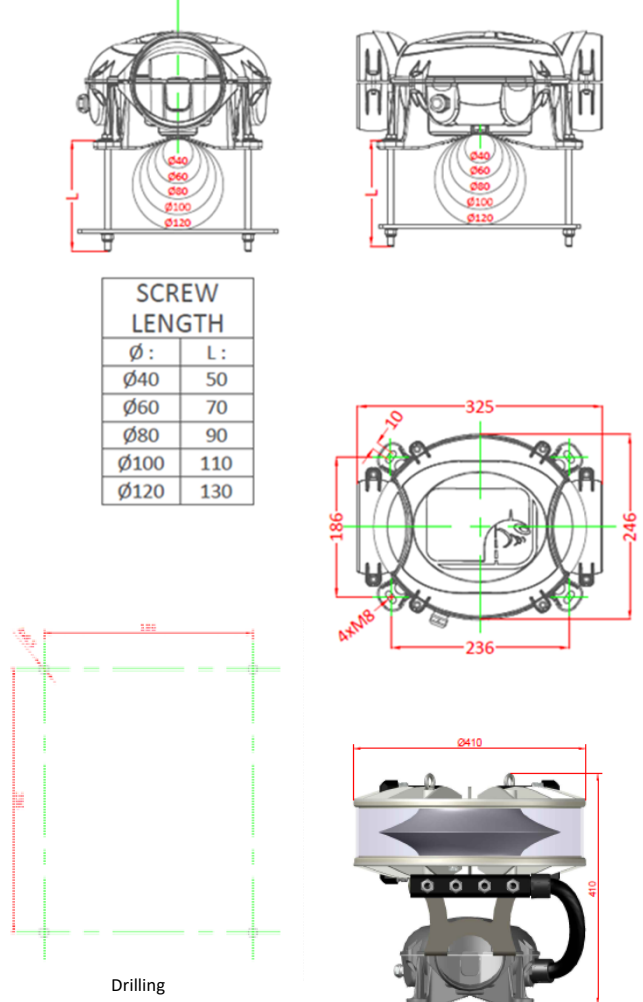


Medium Intensity LED LMIC Type C – Red Steady

Characteristics

Luminous	
Luminous source	LEDs
Colour	Red steady burning
Horizontal beam	360°
Vertical beam	3°
Luminous intensity	2 000 Cd
MTBF	100 000 Hours
Electrics	
Voltage	48V DC / 110-240V AC
Lightning protection	Integrated
Functioning temperature	-55°C to +55°C
Medium consumption	<50 Watts
Current I _{max}	To 48V : I=1500mA To 230V : I<350mA
Protection class	IP66
Mechanicals	
Body material	Zamac
Body lamp material	Aluminium
Lens material	Polycarbonate
Mounting	M8 screw
Height	365mm
Width	410mm
Weight	16 Kg
Environment	
Humidity	100%
Gel	-60°C
Wind speed	240 Km/h
Certifications	
CE	EN60947-1 CEI60364, NF C15-100 EN60529
OACI	Annexe 14, Volume I, Chapter 6
FAA	Compliant L-864
Quality	ISO 9001 ; 2008
Warranty	2 years
Options	Photocell Dry contact for failure alarm

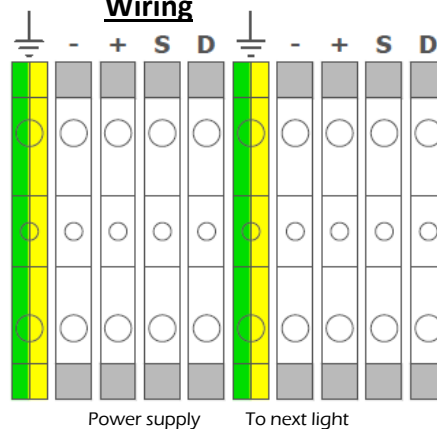
Dimensions :



Available accessories for installation

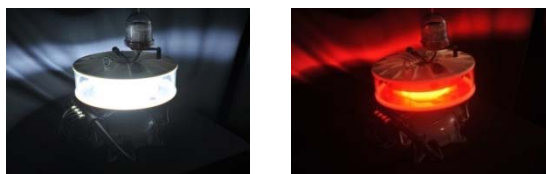
- Power supply
- UPS system
- Solar kit

Wiring



Medium Intensity LED

LMIAB Type A&B – White Flash and Red Flash



Description:

The LMIAB is a medium intensity light with multi-LEDs technology, developed with an aluminium design for a natural fresh cooling system. Dedicated to a day white flash and night red beaconing, it is a long life system (100 000 Hours), very strong with a low consumption (90w).

Photocell and dry contact can be provided either in the light or deported in a system of control (Safety power supply, control panel).

Moreover, it can be solar power supplied.

It has been designed for an easy installation.

Advantages :

- Wired synchronization integrated, optical fiber, GPS and TCPIP available
- Long life time > 10 years
- Multi – LEDs
- Low consumption < 90W
- Lightning protection
- Delta Box exclusive self test included with photocell
- No maintenance
- 2 year warranty
- Zamac box with epoxy powder painting
- Connection plug IP68, in option

Applications :

Rules concerning aircraft beaconing are established by the ICAO

Medium intensity lights can be installed on structures up to 150 meters high. Beyond 90 meters, it is necessary to plan several levels of lights.

According to the rules, an uninterruptible power supply cabinet has to be installed to assure a 12 hour beaconing in case of power supply failure.

Models

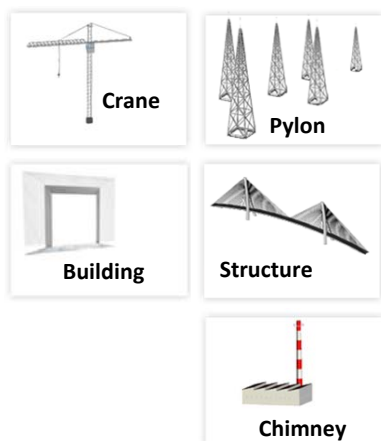
Model	Voltage	Photocell	Dry contact
LMIAB00BB*	48V DC	Not included	Not included
LMIAB11BB	48V DC	Included	Included
LMIAB00MB*	110-240V AC	Not included	Not included
LMIAB11MB	110-240V AC	Included	Included

*to installed with Safebox or solar power supply or GPS

Regulations:

- OACI, STAC N° 2013A045
- CE
- FAA Compliant L-864 /L-865

Scope of application:



DOC117a.VEN-Rev1



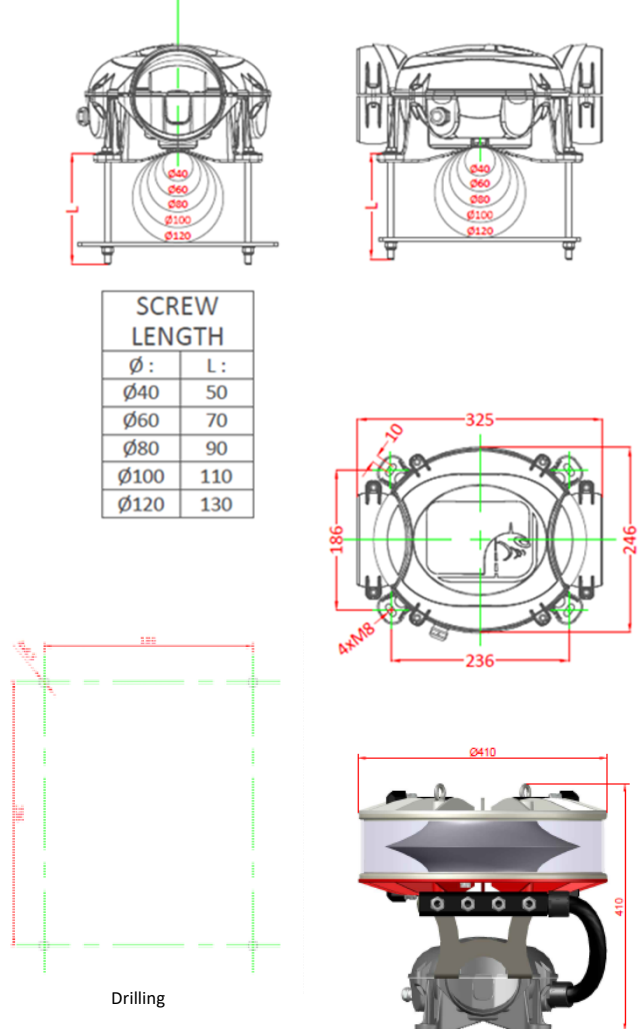
Medium Intensity LED

LMIAB Type A&B – White Flash and Red Flash

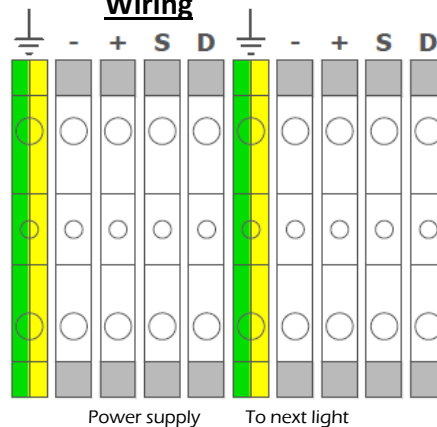
Characteristics

Luminous	
Luminous source	LEDs
Colour	White flash (Day) Red flash (Night)
Horizontal beam	360°
Vertical beam	3°
Luminous intensity	20 000 Cd (Day, white) 2 000 Cd (Night, red)
Flash frequency	20 to 60 fpm
MTBF	100 000 Hours
Electrics	
Voltage	48V DC / 110-240V AC
Lightning protection	Integrated
Functioning temperature	-55°C to +55°C
Day Max Consumption	<40 Watts @ 40 fpm
Night Max Consumption	<15 Watts @ 40 fpm
Current I _{max} (day mode)	To 48V : I=4400mA To 230V : I=1000mA
Current I _{max} (night mode)	To 48V : I=1500mA To 230V : I=350mA
Protection class	IP66
Mechanicals	
Box material	Zamac
Body lamp material	Aluminium
Lens material	Polycarbonate
Mounting	M8 screw
Height	410mm
Width	410mm
Weight	18 Kg
Environment	
Humidity	100%
Gel	-60°C
Wind speed	240 Km/h
Certifications	
CE	EN60947-1 CEI60364, NF C15-100 EN60529
ICAO	Annexe 14, Volume I, Chapter 6
FAA	Compliant L-865 / L-864
Quality	ISO 9001 ; 2008
Warranty	2 years
Options	Photocell Dry contact for failure alarm

Dimensions :



Wiring



Available accessories for installation

- Power supply
- UPS system
- Solar kit

DOC117a.VEN-Rev1

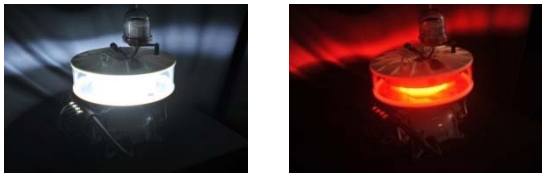


©INDELEC SA – 61 Chemin des postes DOUAI - Tel +33 327 944 952 - www.indelec.com

Non contractual document - INDELEC reserves the right to modify its product design, dimensions, weight as well as the illustrations without prior notice.



Medium Intensity LED - LMIAC Type A&C – White Flash and night Steady Red beconing



Description:

The LMIAC is a medium intensity light with multi-LEDs technology. Dedicated to a day and night white flash beconing, it is a long life system (100 000 Hours), very strong with a low consumption (90w).

Photocell and dry contact can be provided either in the light or deported in a system of control (Safety power supply, control panel).

Moreover, it can be solar power supplied.

It has been designed for an easy installation.

Advantages :

- Wired synchronization integrated, optical fiber, GPS and TCPIP available
- Long life time > 10 years
- Multi – LEDs
- Low consumption < 90W
- Lightning protection
- Delta Box exclusive self test included with photocell
- No maintenance
- 2 years warranty
- Zamac box with epoxy powder painting
- Connection plug IP68, in option

Applications :

Rules concerning aircraft beconing are established by the ICAO

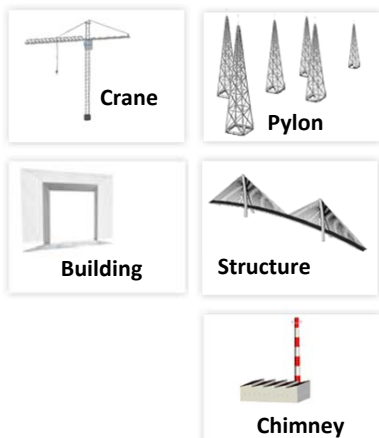
Medium intensity lights can be installed on structures up to 150 meters high. Beyond 90 meters, it is necessary to plan several levels of lights.

According to the rules, an uninterruptible power supply cabinet has to be installed to assure a 12 hour beconing in case of power supply failure.

Regulations:

- OACI, STAC N° 2010A022/2013A045
- CE
- FAA Compliant L864/L-865

Scope of application:



Models

Model	Voltage	Photocell	Dry contact
LMIAC00BB*	48V DC	Not included	Not included
LMIAC11BB	48V DC	Included	Included
LMIAC00MB*	110-240V AC	Not included	Not included
LMIAC11MB	110-240V AC	Included	Included

*to installed with Safebox or solar power supply or GPS

DOC118a.VEN-Rev1



Medium Intensity LED - LMIAC Type A&C

– White Flash and night Steady Red beconing

Characteristics

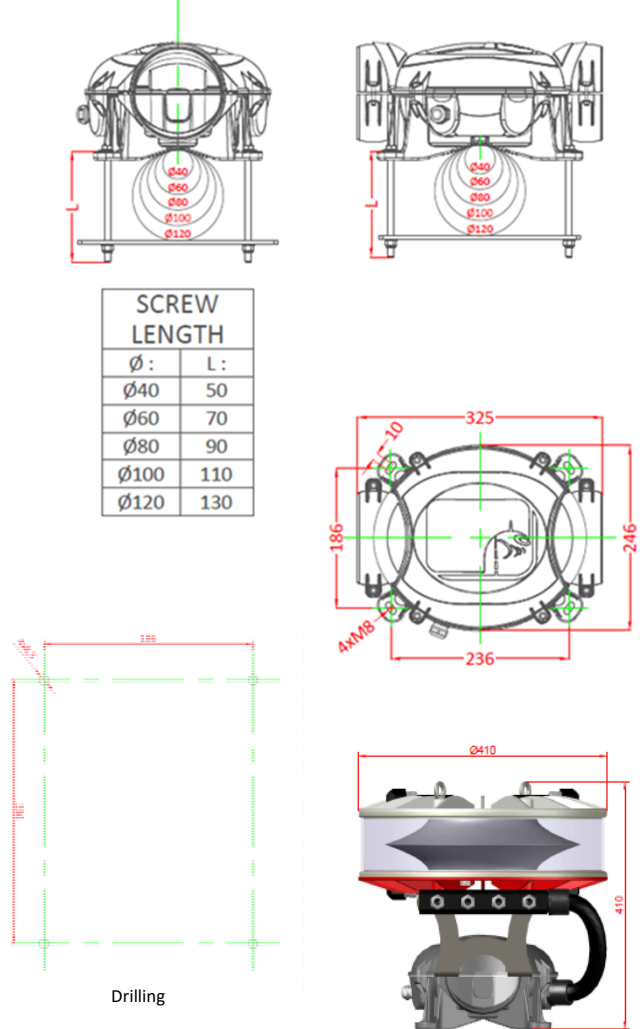
Luminous	
Luminous source	LEDs
Colour	White flash (Day) Red flash (Night)
Horizontal beam	360°
Vertical beam	3°
Luminous intensity	20 000 Cd (Day, white) 2 000 Cd (Night, red)
Flash frequency	20 to 60 fpm
MTBF	100 000 Hours
Electrics	
Voltage	48V DC / 110-240V AC
Lightning protection	Integrated
Functioning temperature	-55°C to +55°C
Consumption	<50 Watts @ 20 fpm
Current I _{max} (day mode)	To 48V : I=4400mA To 230V : I=1000mA
Current I _{max} (night mode)	To 48V : I=1400mA To 230V : I=350mA
Protection class	IP66
Mechanicals	
Box material	Zamac
Body lamp material	Aluminium
Lens material	Polycarbonate
Mounting	M8 screw
Height	410mm
Width	410mm
Weight	18 Kg
Environment	
Humidity	100%
Gel	-60°C
Wind speed	240 Km/h
Certifications	
CE	EN60947-1 CEI60364, NF C15-100 EN60529
ICAO	Annexe 14, Volume I, Chapter 6
FAA	Compliant L-865 / L-864
Quality	ISO 9001 ; 2008
Warranty	2 years
Options	Photocell Dry contact for failure alarm

*as per installation conditions

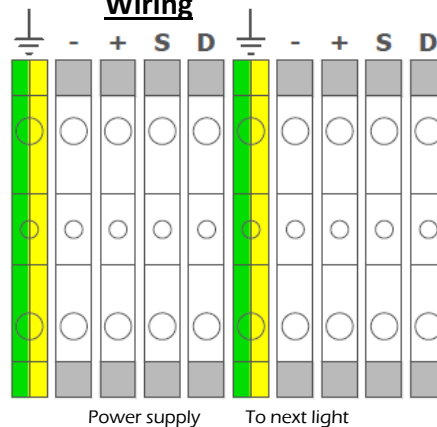
Available accessories for installation

- Power supply
- UPS system
- Solar kit

Dimensions :



Wiring



Low Intensity LED SOLBIA Type A > 10 Cd – Solar



Description:

The SOLBIA is an environmentally friendly system.

Dedicated to an autonomous night beacons, it is long life system (100 000 Hours), more than 80 hour autonomy system.

The SOLBIA is also available with a 110-240V input as back-up power supply.

The SOLBIA is provided with photocell for an automatic switch ON/OFF and a dry contact for failure alarm.

The specific design of the box is the most convenient solution on the market for installation: mounting frame is a part of the box and it could be adjusted in horizontal or vertical position.

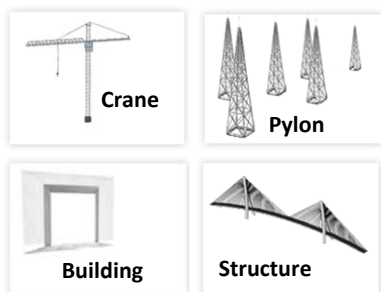
Advantages :

- Long life time > 10 years
- Multi – LEDs
- Independent
- Lightning protection
- Delta Box exclusive self-test included with photocell
- Power saving
- 2 years warrant
- Zamac box with epoxy powder painting

Regulations:

- OACI, STAC N° 2010A012
- CE

Scope of application:



Applications :

Rules concerning aircraft beacons are established by the ICAO

Low intensity beacons can be installed on structures up to 45 meters.

The SOLBIA gives security to every sites, even the most isolated.

Models

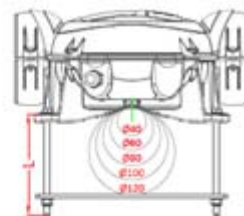
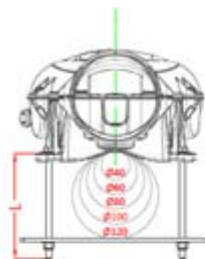
Model	Voltage	Photocell	Dry contact
SOLBIA10C	Solar	Included	Not Included
SOLBIA11C	Solar	Included	Included

Low Intensity LED SOLBIA Type A > 10 Cd – Solar

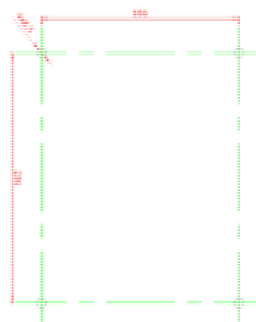
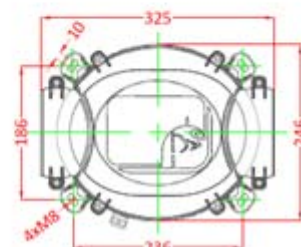
Characteristics

Luminous	
Luminous source	LEDs
Colour	Red
Horizontal beam	360°
Vertical beam	10°
Luminous intensity	>10 Cd
MTBF	100 000 Hours
Electrics	
Voltage	Solar
Lightning protection	Integrated
Functioning temperature	-55°C to +55°C
Solar panel	10 Watts Polycrystallin
Battery	Waterproof lead gel 12V 7Ah x 2
Autonomy	120 Hours
Protection class	IP66
Mechanicals	
Box material	Zamac
Body lamp material	Composite
Lens material	Polycarbonate with bird spike
Mounting	M8 screw
Height	425mm
Weight	<10 Kg
Solar panel dimensions	300mm x 385mm
Environment	
Humidity	100%
Frost	-60°C
Wind speed	240 Km/h
Certifications	
CE	EN60947-1 CEI60364, NF C15-100 EN60529
ICAO	Annexe 14, Volume I, Chapter 6
Quality	ISO 9001 ; 2008
Warranty	2years

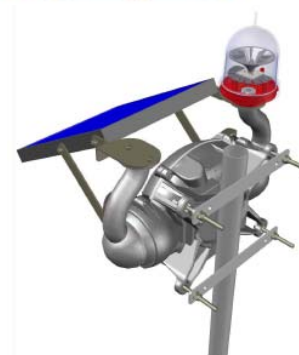
Dimensions :



Length of screw	
Ø :	L :
Ø40	50
Ø60	70
Ø80	90
Ø100	110
Ø120	130



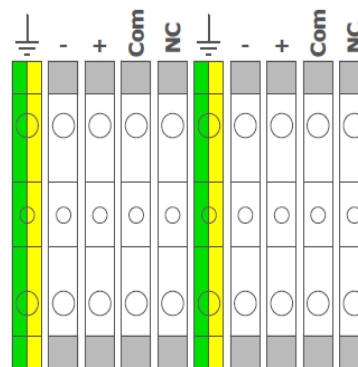
Drilling



Available accessories for installation

-Specific stainless steel mounting

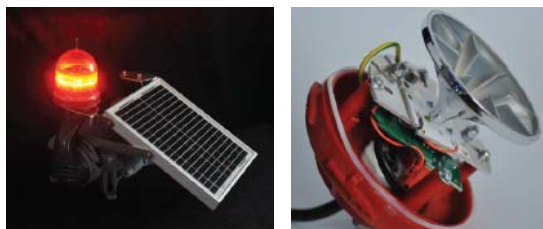
Wiring



Power supply

To next light

Low Intensity LED SOLBIA Type A > 10 Cd – Solar TWINY



Description:

Le SOLBIA TWINY is an environmentally friendly system, equipped with the exclusive redundant system.

For security installation, its automatic test is launched every day. Dedicated to an autonomous night beaconing, it is long life system (100 000 hours), more than 80 hour autonomy system.

The SOLBIA TWINY is also available with a 110-240V input as back-up power supply.

Le SOLBIA TWINY is provided with photocell for an automatic switch ON/OFF and a dry contact for failure alarm.

The specific design of the box is the most convenient solution on the market for installation: mounting frame is a part of the box and it could be adjusted in vertical or horizontal position.

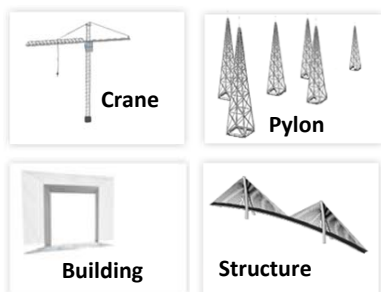
Advantages :

- Long life time > 10 years
- Multi – LEDs
- Independant
- Lightning protection
- Delta Box exclusive self-test included with photocell
- Power saving
- 2 years warrant
- Zamac box with epoxy powder painting

Regulations:

- OACI, STAC N° 2010A012
- CE

Scope of application:



-Applications :

Rules concerning aircraft beaconing are established by the ICAO

Low intensity beacons can be installed on structures up to 45 meters high.

The SOLEO gives security to every sites, even the most isolated.

Models

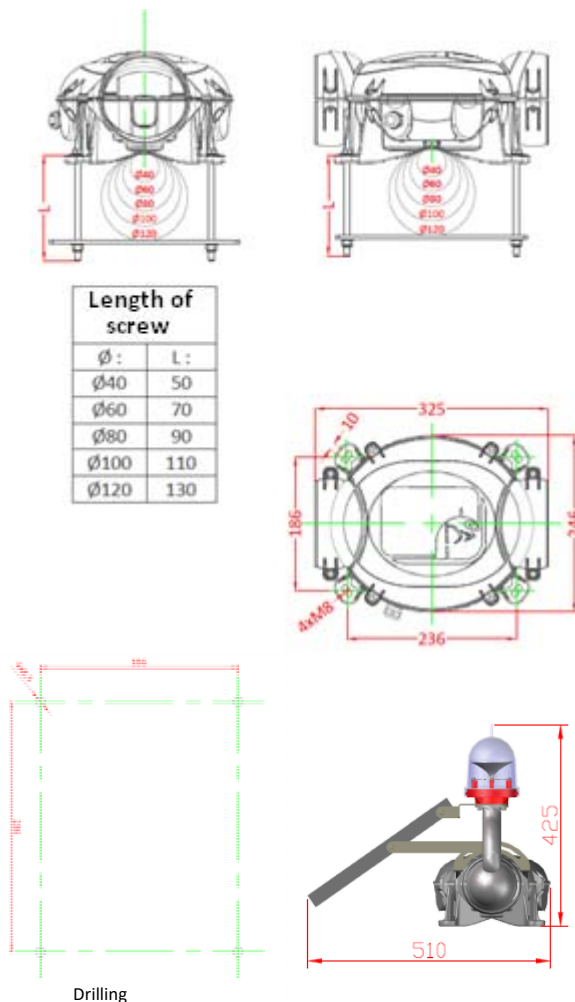
Model	Voltage	Photocell	Dry contact
SOLBIATW	Solar	Included	Included

Low Intensity LED SOLBIA Type A > 10 Cd – Solar TWINY

Characteristics

Luminous	
Luminous source	LEDs
Colour	Red
Horizontal beam	360°
Vertical beam	10°
Luminous intensity	>10 Cd
MTBF	100 000 Hours
Electrics	
Voltage	Solar
Lightning protection	Integrated
Functioning temperature	-55°C to +55°C
Solar panel	10 Watts Polycrystallin
Battery	Waterproof lead gel 12V 7Ah x 2
Autonomy	120 Hours
Protection class	IP66
Mechanicals	
Box material	Zamac
Body lamp material	Composite
Lens material	Polycarbonate with bird spike
Mounting	M8 screw
Height	425mm
Weight	<11 Kg
Solar panel dimensions	300mm x 385mm
Environment	
Humidity	100%
Frost	-60°C
Wind speed	240 Km/h
Certifications	
CE	EN60947-1 CEI60364, NF C15-100 EN60529
ICAO	Annexe 14, Volume I, Chapter 6
Quality	ISO 9001 ; 2008
Warranty	2years

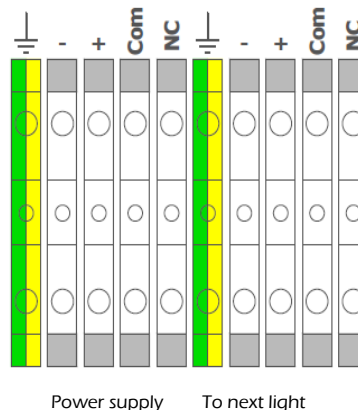
Dimensions :



Available accessories for installation

-Specific stainless steel mounting

Wiring



Low Intensity LED SOLBIB Type B > 32 Cd – Solar



Description:

The SOLBIB is an environmentally friendly system.

Dedicated to an autonomous night beaconing, it is long life system (100 000 Hours), more than 40 hour autonomy system.

The SOLBIB is also available with a 110-240V input as back-up power supply.

The SOLBIB is provided with photocell for an automatic switch ON/OFF and a dry contact for failure alarm.

The specific design of the box is the most convenient solution on the market for installation: mounting frame is a part of the box and it could be adjusted vertical or horizontal position

Advantages :

- Long life time > 10 years
- Multi – LEDs
- Independant
- Lightning protection
- Delta Box exclusive self-test included with photocell
- Power saving
- 2 year warrant
- Zamac box with epoxy powder painting

Applications :

Rules concerning aircraft beaconing are established by the ICAO

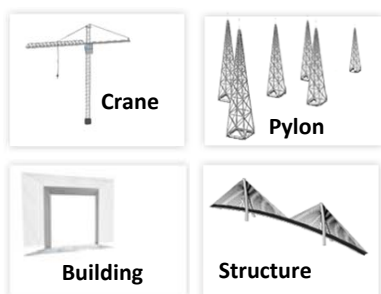
Low intensity beacons can be installed on structures up to 45 meters.

The SOLEO gives security to every sites, even the most isolated.

Regulations:

- OACI, STAC N° 2010A020
- CE
- FAA Compliant L810

Scope of application:



Models

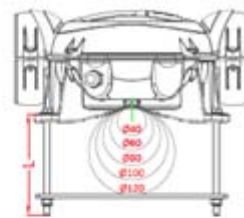
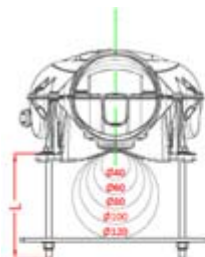
Model	Voltage	Photocell	Dry contact
SOLBIB10C	Solar	Included	Not Included
SOLBIB10C	Solar	Included	Not Included

Low Intensity LED SOLBIB Type B > 32 Cd – Solar

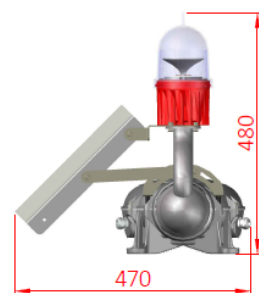
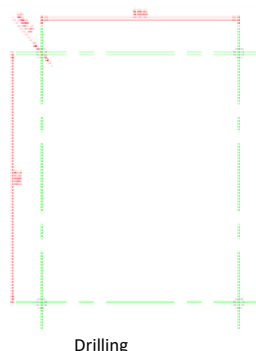
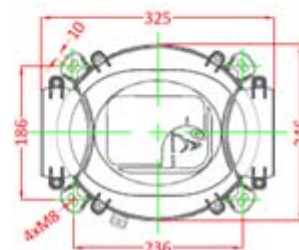
Characteristics

Luminous	
Luminous source	LEDs
Colour	Red
Horizontal beam	360°
Vertical beam	10°
Luminous intensity	>32 Cd
MTBF	100 000 Hours
Electrics	
Voltage	Solar
Lightning protection	Integrated
Functioning temperature	-55°C to +55°C
Solar panel	1*10 Watts Polycrystallin
Battery	Waterproof lead gel 12V 7Ah x 2
Autonomy	60 Hours
Protection class	IP66
Mechanicals	
Box material	Zamac
Body lamp material	Aluminum
Lens material	Polycarbonate with bird spike
Mounting	M8 screw
Height	425mm
Weight	<15 Kg
Solar panel dimensions	300mm x 385mm
Environment	
Humidity	100%
Gel	-60°C
Wind speed	240 Km/h
Certifications	
CE	EN60947-1 CEI60364, NF C15-100 EN60529
ICAO	Annexe 14, Volume I, Chapter 6
Quality	ISO 9001 ; 2008
Warranty	2years

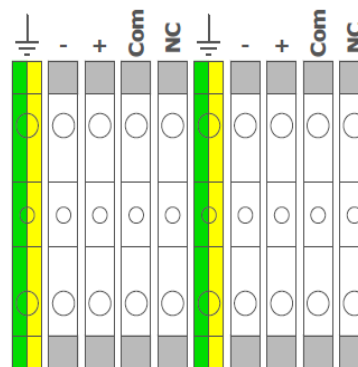
Dimensions :



Length of screw	
Ø :	L :
Ø40	50
Ø60	70
Ø80	90
Ø100	110
Ø120	130



Wiring



Power supply

To next light

Available accessories for installation

-Specific stainless steel mounting

DOC133a.VEN-Rev1



Low Intensity LED SOLBIB Type B > 32 Cd – Solar TWINY



Description:

Le SOLBIB TWINY is an environmentally friendly system, equipped with the exclusive redundant system.

For security installation, its automatic test is launched every day. Dedicated to an autonomous night beaconing, it is long life system (100 000 hours), more than 40 hour autonomy system.

The SOLBIB TWINY is also available with a 110-240V input as back-up power supply.

Le SOLBIB TWINY is provided with photocell for an automatic switch ON/OFF and a dry contact for failure alarm.

The specific design of the box is the most convenient solution on the market for installation: mounting frame is a part of the box and it could be adjusted in vertical or horizontal position.

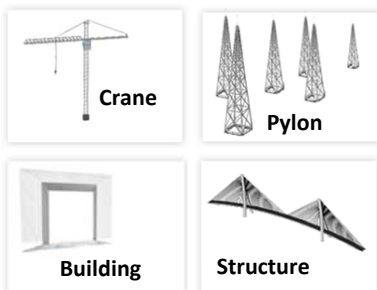
Advantages :

- Long life time > 10 years
- Multi – LEDs
- Independant
- Lightning protection
- Exclusive self-test included with photocell
- Power saving
- 2 years warrant
- Zamac box with epoxy powder painting

Regulations:

- OACI, STAC N° 2010A012
- CE
- FAA compliant

Scope of application:



Applications :

Rules concerning aircraft beaconing are established by the ICAO

Low intensity beacons can be installed on structures up to 45 meters high.

The SOLEO gives security to every sites, even the most isolated.

Models

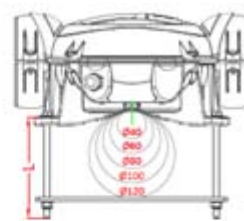
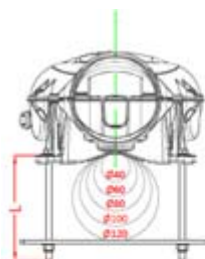
Model	Voltage	Photocell	Dry contact
SOLBIBTW	Solar	Included	Included

Low Intensity LED SOLBIB Type B > 32 Cd – Solar TWINY

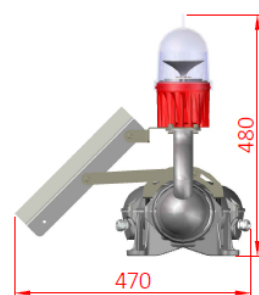
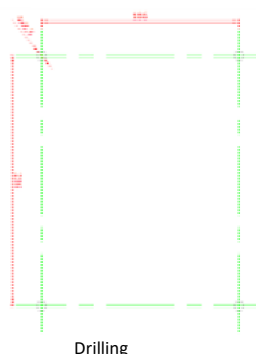
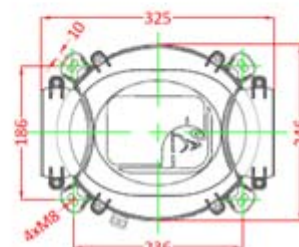
Characteristics

Luminous	
Luminous source	LEDs
Colour	Red
Horizontal beam	360°
Vertical beam	10°
Luminous intensity	>32 Cd
MTBF	100 000 Hours
Electrics	
Voltage	Solar
Lightning protection	Integrated
Functioning temperature	-55°C to +55°C
Solar panel	1*10 Watts Polycrystallin
Battery	Waterproof lead gel 12V 7Ah x 2
Autonomy	60 Hours
Protection class	IP66
Mechanicals	
Box material	Zamac
Body lamp material	Aluminum
Lens material	Polycarbonate with bird spike
Mounting	M8 screw
Height	425mm
Weight	<15 Kg
Solar panel dimensions	300mm x 385mm
Environment	
Humidity	100%
Gel	-60°C
Wind speed	240 Km/h
Certifications	
CE	EN60947-1 CEI60364, NF C15-100 EN60529
ICAO	Annexe 14, Volume I, Chapter 6
Quality	ISO 9001 ; 2008
Warranty	2years

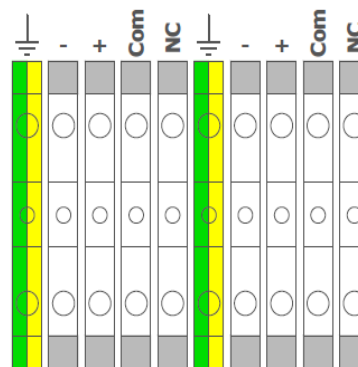
Dimensions :



Length of screw	
Ø :	L :
Ø40	50
Ø60	70
Ø80	90
Ø100	110
Ø120	130



Wiring



Power supply

To next light

Available accessories for installation

-Specific stainless steel mounting

DOC132a.VEN-Rev1



Low Intensity NEON BA30 Type B > 32 Cd



Description:

The BA30 is a neon system dedicated to a night marking.

This is a very strong system, with a proven technology, resistant to high temperature.

The BA30 is provided with 4 meters of cable. In option, it can be equipped with photocell for an automatic switch ON/OFF and a dry contact for failure alarm.

Advantages :

- Proven technology
- Resistant to high temperature
- One assembly system
- Stainless steel body
- Warranty 2 years

Applications :

Rules concerning aircraft beaconing are established by the ICAO

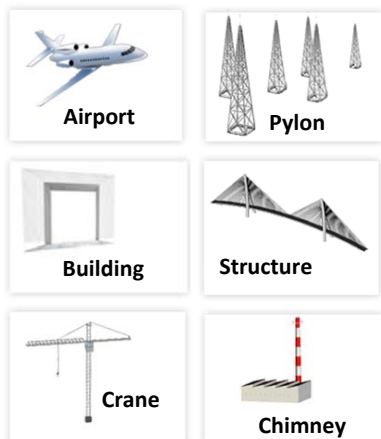
Low intensity beacons can be installed on structures up to 45 meters.

According to the rules, an uninterruptible power supply cabinet has to be installed to insure a 12 hour beaconing in case of power supply failure.

Regulations:

- ICAO, STAC N° 2006A001
- CE
- FAA Compliant L810

Scope of application:



Models

Model	Voltage	Photocell	Dry contact
SBA3000AC	24V DC	Not included	Not included
SBA3000BC	48V DC	Not included	Not included
SBA3000MC	110-240V AC	Not included	Not included

DOC129a.VEN-Rev1

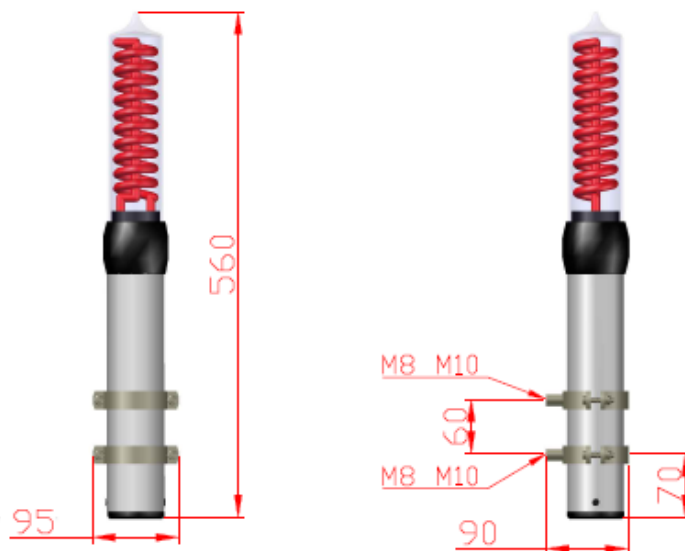


Low Intensity NEON BA30 Type B > 32 Cd

Characteristics

Luminous	
Luminous source	Neon
Colour	Red
Horizontal beam	360°
Vertical beam	10°
Luminous intensity	>32 Cd
MTBF	50 000 Hours
Electrics	
Voltage	24, 48V DC / 110-240V AC
Functioning temperature	-55°C to +70°C
Consumption	30 Watts
Current I _{max}	To 24V : I=930mA
	To 48V : I=500mA
	To 230V : I=200mA
Protection class	IP66
Mechanicals	
Body material	Stainless steel
Lens material	Glass
Mounting	M8 screw
Height	560mm
Width	95mm
Weight	2 Kg
Environment	
Humidity	100%
Gel	-60°C
Wind speed	240 Km/h
Certifications	
CE	EN60947-1 CEI60364, NF C15-100 EN60529
Warranty	2 years
FAA	Compliant L-810
Quality	ISO 9001 ; 2008
Options	Photocell Dry contact for failure alarm

Dimensions :



Wiring

24V, 48V CC



230V CA



Available accessories for installation

- Power supply
- Stainless steel mounting
- Driving box
- UPS System

Low Intensity NEON BA30 Type B > 32 Cd Twiny



Description:

The BA30 TWINY is a neon system dedicated to a night marking, with the exclusive redundant system.

For security installation, its automatic test is launched every day.

This is a very strong system, with a proven technology, resistant to high temperature.

Its compact and innovating design facilitates its installation.

The zamac box allows facilitating the on-site connecting.

Advantages :

- Proven technology
- Resistant to high temperature
- One assembly system
- Stainless steel body
- Warranty 2 years
- Zamac box with epoxy powder painting

Applications :

Rules concerning aircraft beaconing are established by the ICAO

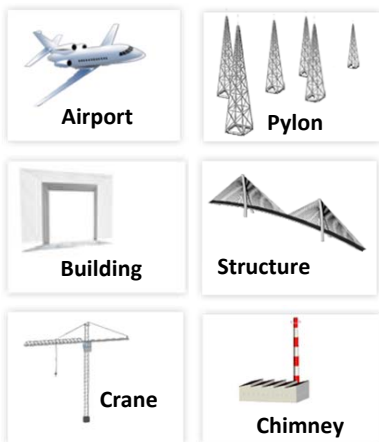
Low intensity beacons can be installed on structures up to 45 meters.

According to the rules, an uninterruptible power supply cabinet has to be installed to insure a 12 hour beaconing in case of power supply failure.

Regulations:

- ICAI, STAC N° 2006A001
- CE
- FAA Compliant L-810

Scope of application:



Models

Model	Voltage	Photocell	Dry contact
SBA30TWAB	24V DC	Included	Included
SBA30TWBB	48V DC	Included	Included
SBA30TWMB	110-240V AC	Included	Included

DOC127a.VEN-Rev1

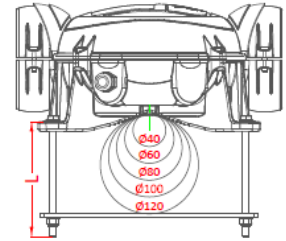
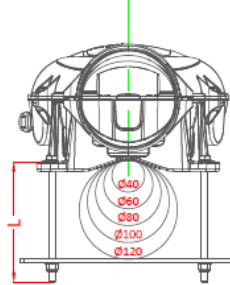


Low Intensity NEON BA30 Type B > 32 Cd Twiny

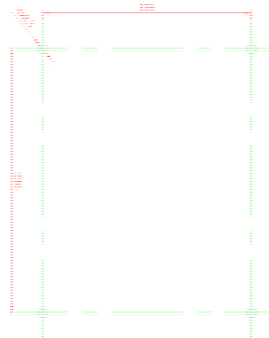
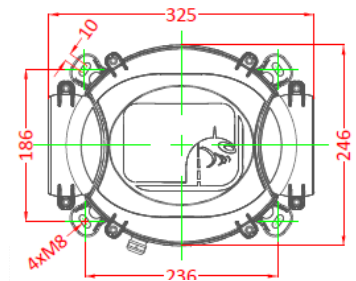
Caracteristics

Luminous	
Luminous source	Neon
Colour	Red
Horizontal beam	360°
Vertical beam	10°
Luminous intensity	>32 Cd
MTBF	50 000 Hours
Electrics	
Voltage	24, 48V DC / 110-240V AC
Functioning temperature	-55°C to +70°C
Consumption	30 Watts
Current Imax	To 24V : I=930mA To 48V : I=500mA To 230V : I=200mA
Protection class	IP66
Mechanicals	
Box material	Zamac
Body lamp material	Stainless steel
Lens material	Glass
Mounting	M8 screw
Height	470mm
Weight	5Kg
Environment	
Humidity	100%
Gel	-60°C
Wind speed	240 Km/h
Certifications	
CE	EN60947-1 CEI60364, NF C15-100 EN60529
OACI	Annexe 14, Volume I, Chapter 6
FAA	Compliant L-810
Quality	ISO 9001 ; 2008
Warranty	2 years

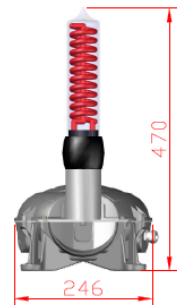
Dimensions :



SCREW LENGTH	
Ø :	L :
Ø40	50
Ø60	70
Ø80	90
Ø100	110
Ø120	130



Drilling



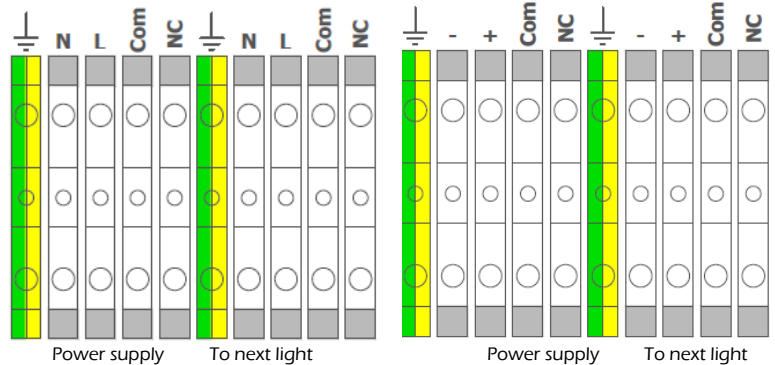
Available accessories for installation

- Power supply
- Solar kit

Wiring

230V CA

24V, 48V CC



Uninterruptible Power Supply Low Intensity Lights



Description:

Our Uninterruptible Power Supply is dedicated to guarantee 12 hour autonomy in case of power supply failure. The Safebox is the UPS solution optimized for obstruction lights based on high quality batteries.

Available with input of 110-240V, and output of 48V or 110-240V, the UPS is equipped in standard with lightning protection and dry contacts for network and beacons alarm failure.

Advantages :

- Isolated of the network by a transformer
- Compact
- IP66 structure
- Indication of functional status and charging status on the front of the cabinet
- 12 hours autonomy

Applications :

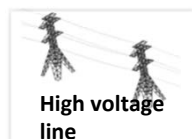
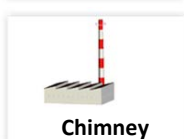
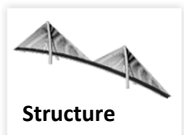
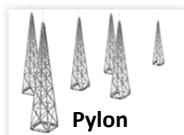
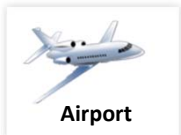
Rules concerning aircraft beaconing are established by the ICAO

According to the rules, an uninterruptible power supply cabinet has to be installed to insure a 12 hour beaconing in case of power supply failure.

Regulations:

- OACI, STAC
- CE
- FAA Compliant L810

Scope of application:



Models

Model	Capacity	Maximum of Low Intensity Light for 12 hours of autonomy
SBMCBI4-10	4 Batteries 12V 7Ah	10 LBIA / 4 LBIB
SBMCBI8-20	4 Batteries 12V 12Ah	20 LBIA / 8 LBIB

DOC100a.VEN-Rev0

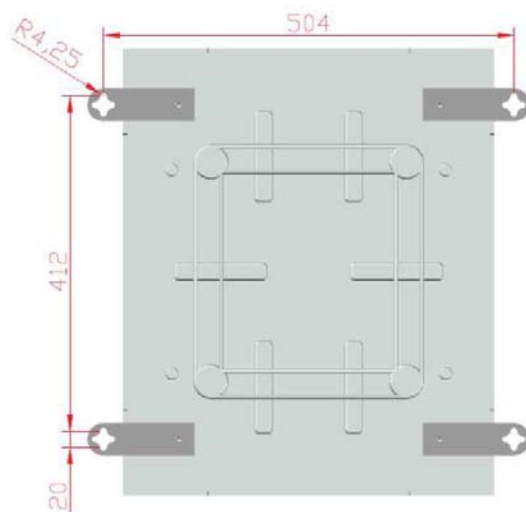
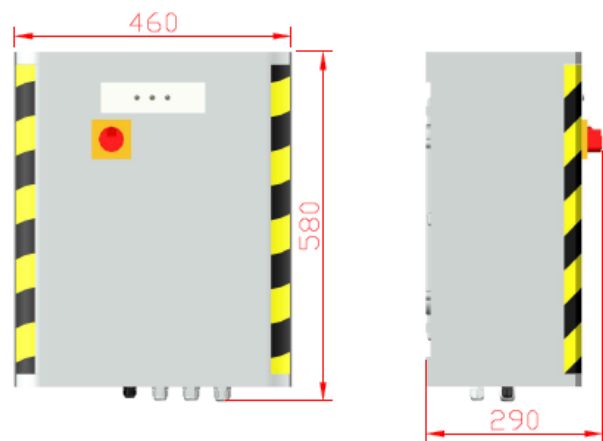


Uninterruptible Power Supply Low Intensity Lights

Characteristics

Electrics	
Input voltage	240V
Output voltage	48V or 240V
Lightning protection	Integrated
Functioning temperature	-55°C up to +70°C
Autonomy	12 Hours
Battery	Waterproof lead gel
Mechanicals	
Material	Polyester
Mounting	By external mounting bracket
Height	580mm
Width	460mm
Thickness	290mm
Weight SBMCBI4-10	30 Kg
Weight SBMCBI8-20	37 Kg
Protection class	IP66
Environment	
Humidity	100%
Frost	-60°C
Wind speed	240 Km/h
Certifications	
CE	EN60947-1 CEI60364, NF C15-100 EN60529
ICAO	Annex 14, Volume I, Chapter 6
FAA	Compliant
Quality	ISO 9001 ; 2008
Warranty	2 years (except batteries)
Options	Greater autonomy (72 hours)

Dimensions :



Uninterruptible Power Supply Medium Intensity Lights



Description:

Our Uninterruptible Power Supply is dedicated to guarantee 12 hour autonomy in case of power supply failure. The Safebox is the UPS solution optimized for obstruction lights based on high quality batteries.

Available with input of 110-240V, and output of 48V or 110-240V, the UPS is equipped in standard with lightning protection and dry contacts for network and beacons alarm failure.

Advantages :

- Isolated of the network by a transformer
- Compact
- IP66 structure
- Indication of functional status and charging status on the front of the cabinet
- 12 hours autonomy

Applications :

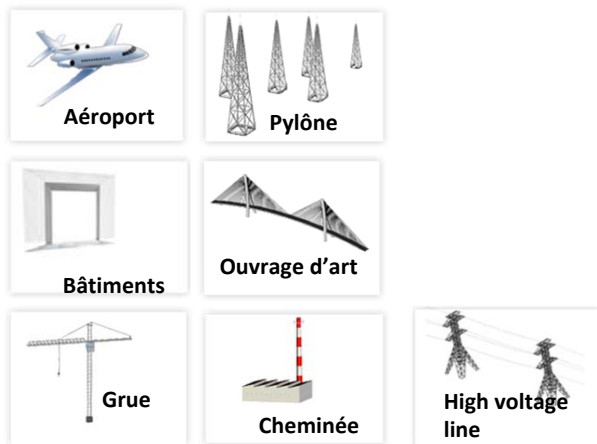
Rules concerning aircraft beaoning are established by the ICAO

According to the rules, an uninterruptible power supply cabinet has to be installed to insure a 12 hour beaoning in case of power supply failure.

Regulations:

- ICAO STAC
- CE
- FAA Compliant

Scope of application:



Models

Model	Capacity	Maximum of Low Intensity Light for 12 hours of autonomy
SBMCM11	4 Batteries 12V 24Ah	1 LMIA / 4 LMIB
SBMCM12	4 Batteries 12V 48Ah	2 LMIA / 8 LMIB
SBMCM13	4 Batteries 12V 100Ah	3 LMIA / 12 LMIB

DOC101a.VEN-Rev0

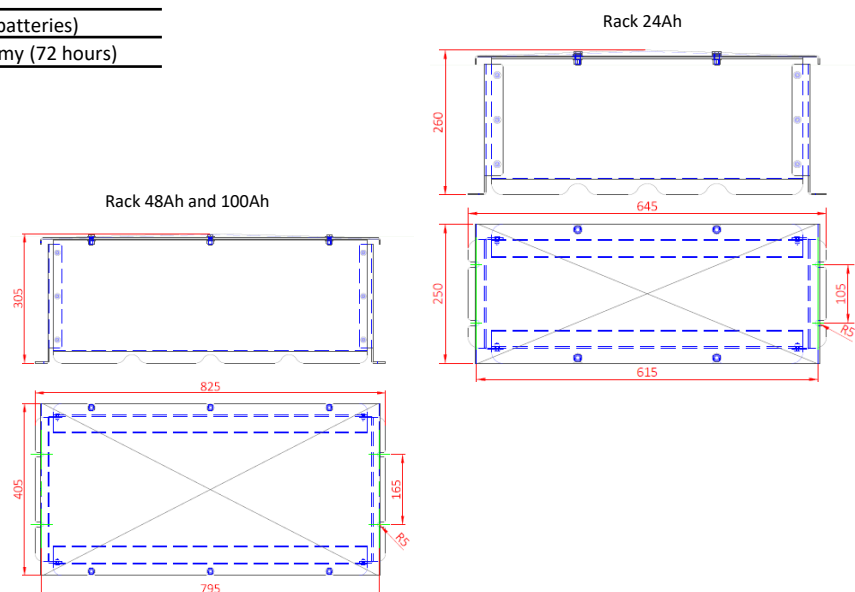
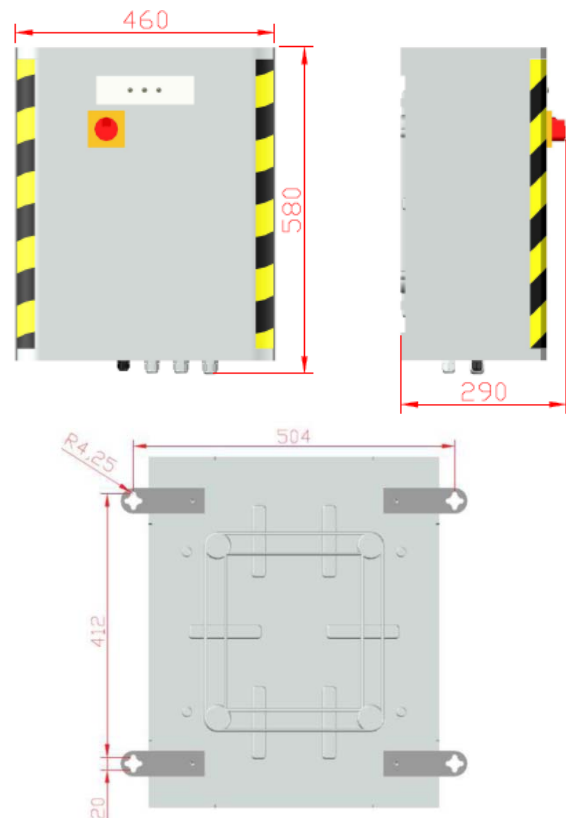


Uninterruptible Power Supply Medium Intensity Lights

Characteristics

Electrics	
Input voltage	240V
Output voltage	48V or 240V
Lightning protection	Integrated
Functioning temperature	-55°C up to +70°C
Autonomy	12 Hours
Battery	Waterproof lead gel
Mechanicals	
Material	Polyester
Mounting	By external mounting bracket
Height	580mm
Width	460mm
Thickness	290mm
Weight	20 Kg
Protection class	IP66
Mechanicals (rack)	
Material	Polyester
Dimensions rack 24Ah	645x250x260
Weight rack 24Ah	30 Kg (with batteries)
Dimensions rack 48Ah	825x405x305
Weight rack 48Ah	30 Kg (with batteries)
Dimensions rack 100Ah	825x405x305
Weight rack 100Ah	112 Kg (with batteries)
Protection class	IP66
Environment	
Humidity	100%
Frost	-60°C
Wind speed	240 Km/h
Certifications	
CE	EN60947-1 CEI60364, NF C15-100 EN60529
ICAO	Annex 14, Volume I, Chapter 6
FAA	Compliant
Quality	ISO 9001 ; 2008
Warranty	2years (except batteries)
Options	Greater autonomy (72 hours)

Dimensions :



High Voltage Lines Warning Sphere



Description:

Our warning sphere is a diurnal beaconing installed on the high voltage lines and stays of pylons.

Extremely light and very resistant to the weather, the warning sphere is available in red, white or orange.

The sphere can be adapted on any diameter of cable or conductor.

Advantages :

- Exclusive silicon system for clamping
- Weather resistant
- Physical property retention after UV exposure
- Colour stability
- Practical toughness and rigidity
- Dimensional stability
- Adaptable to any diameter of cable or conductor
- Recyclable

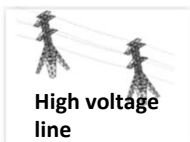
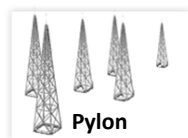
-Model

Model	Colour	Jaw 07mm (cable from 10 to 15mm)	Jaw 12mm (cable from 15 to 20mm)	Jaw 18mm (cable from 20 to 26.4mm)
WS60R-d07	Red	X		
WS60R-d12	Red		X	
WS60R-d18	Red			X
WS60W-d07	white	X		
WS60W-d12	white		X	
WS60W-d18	white			X
WS60O-d07	Orange	X		
WS60O-d12	Orange		X	
WS60O-d18	Orange			X

Regulations:

- ICAOI
- CE

Scope of application:



DOC134a.VEN-Rev0

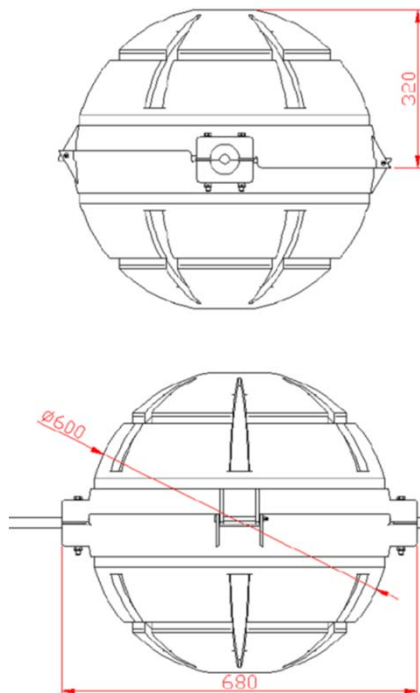


High Voltage Lines Warning Sphere

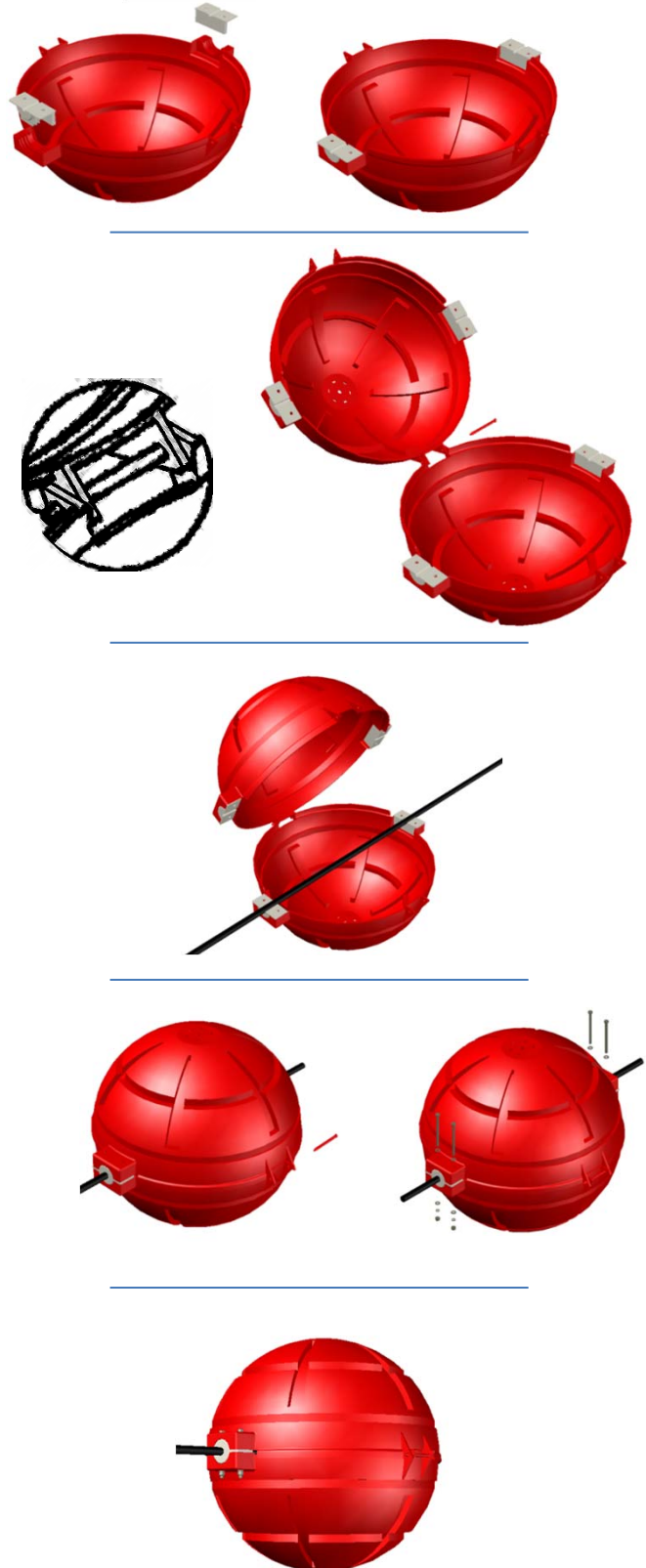
Characteristics

Mechanicals	
Body material	Composite
Colour	Red, white or orange
Fixation	Jaw in silicone + stainless steel screws (included)
Diameter	600mm
Thickness	3mm
Weight	<5 Kg
Temperature	-25°C up to +65°C
Environment	
Humidity	100%
Frost	-60°C
Wind speed	240 Km/h
Certifications	
ICAO	Annex 14, Volume I, Chapter 6
Quality	ISO 9001 ; 2008
Warranty	2 years

Dimensions :



Installation



High voltage lines

LBIA Type A > 10 Cd



Description:

The LBIA BHT is a one block beacon with the LEDs technology.

Dedicated to the beaconing of high voltage lines, it is a long life beacon (100 000 hours), without any power supply. This compact design and light weight allow the quickest and easiest installation on the market.

Advantages :

- Long life time > 10 years
- Multi – LEDs
- Natural stability based on specific nut
- Installation time reduced
- No maintenance
- Warranty 2 years
- Product completely fulfil with high voltage resin to avoid vibration effects
- Only 1 reference for all voltage of lines

Applications :

The LEDEOBIA BHT complies with the ICAO regulations as it is power supplied by the magnetic field around the cable of the high voltage line. This light can be used for beaconing high voltage lines up to 500kV. The installation specifications for high voltage overhead cables are mainly dealing with the intervals between two beacons:

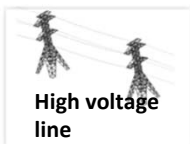
- 70 meters for sensitive specification location in the vicinity of an airport
- 105 meters for other locations Moreover, the light cannot be fixed at less than 10 meters from the closest supporting tower.



Regulations:

- ICAOI
- CE

Scope of application:



Models

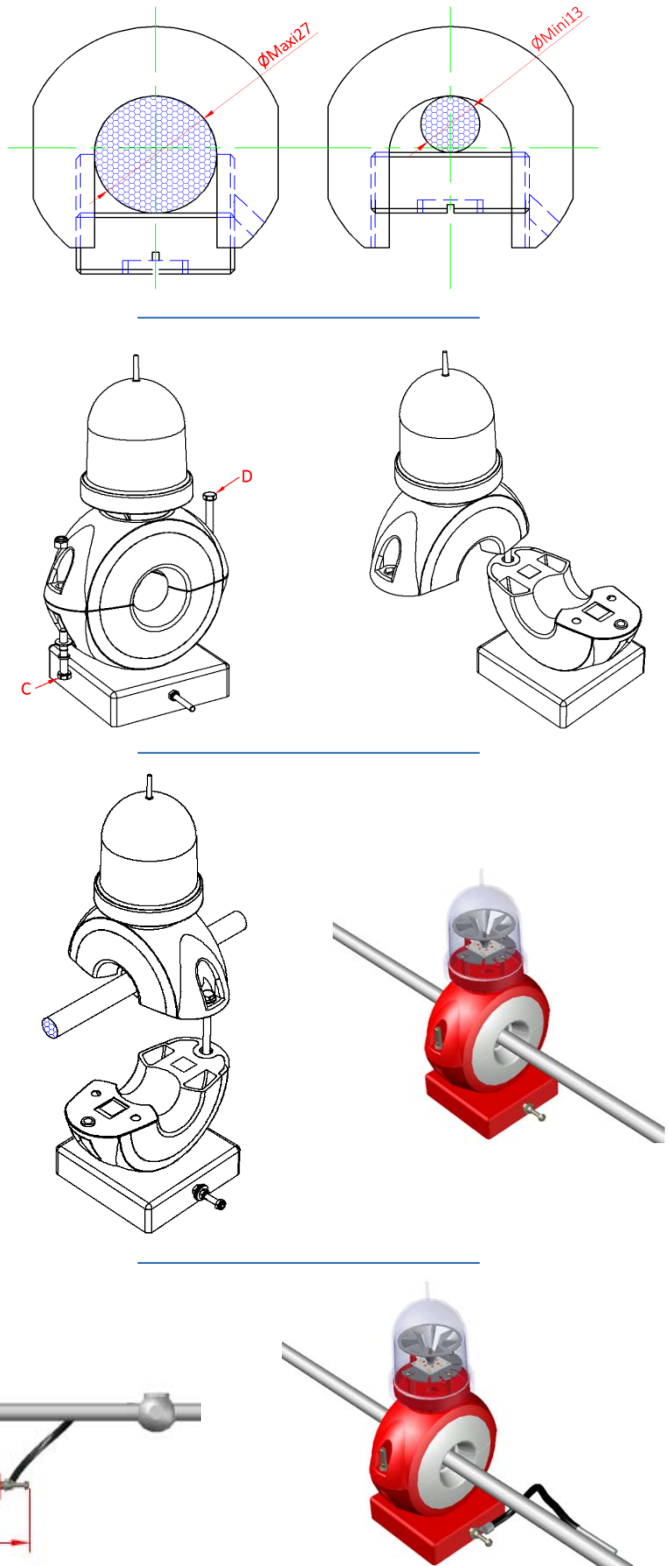
Model	Voltage of the lignes	Photocell	Dry Contact
LBIA00HT	1V to 500kV	Not included	Not Included

High voltage lines LBIA Type A > 10 Cd

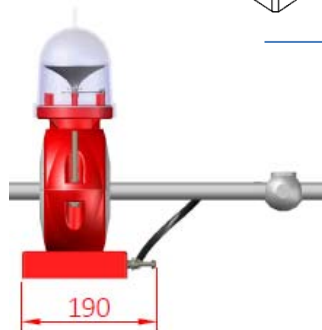
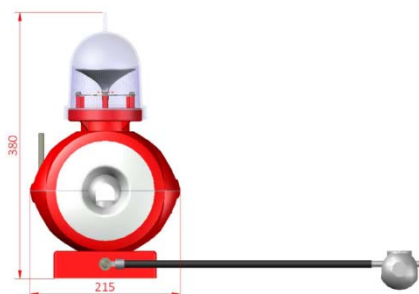
Caracteristics

Luminous	
Luminous intensity	LEDS
Colour	Red
Horizontal beam	360°
Vertical beam	10°
Luminous intensity	>10 Cd
MTBF	100 000 Hours
Electrics	
Voltage lines	1V to 500kV
Functioning temperature	-55°C to +55°C
Current Imin	7A
Current I10Cd	10A
Current Imax	800A
Protection class	IP66
Mechanicals	
Body material	Aluminium ABS
Lens material	Polycarbonate with peak against birds
Mounting	Positioning nut
Height	380mm
Width	215mm
Weight	<6 Kg
Environment	
Humidity	100%
Frost	-60°C
Wind speed	240 Km/h
Certifications	
CE	EN60947-1 CEI60364, NF C15-100 EN60529
ICAO	Annexe 14, Volume I, Chapter 6
Quality	ISO 9001 ; 2008
Warranty	2 years

Installation



Dimensions :



DOC107a.VEN-Rev1

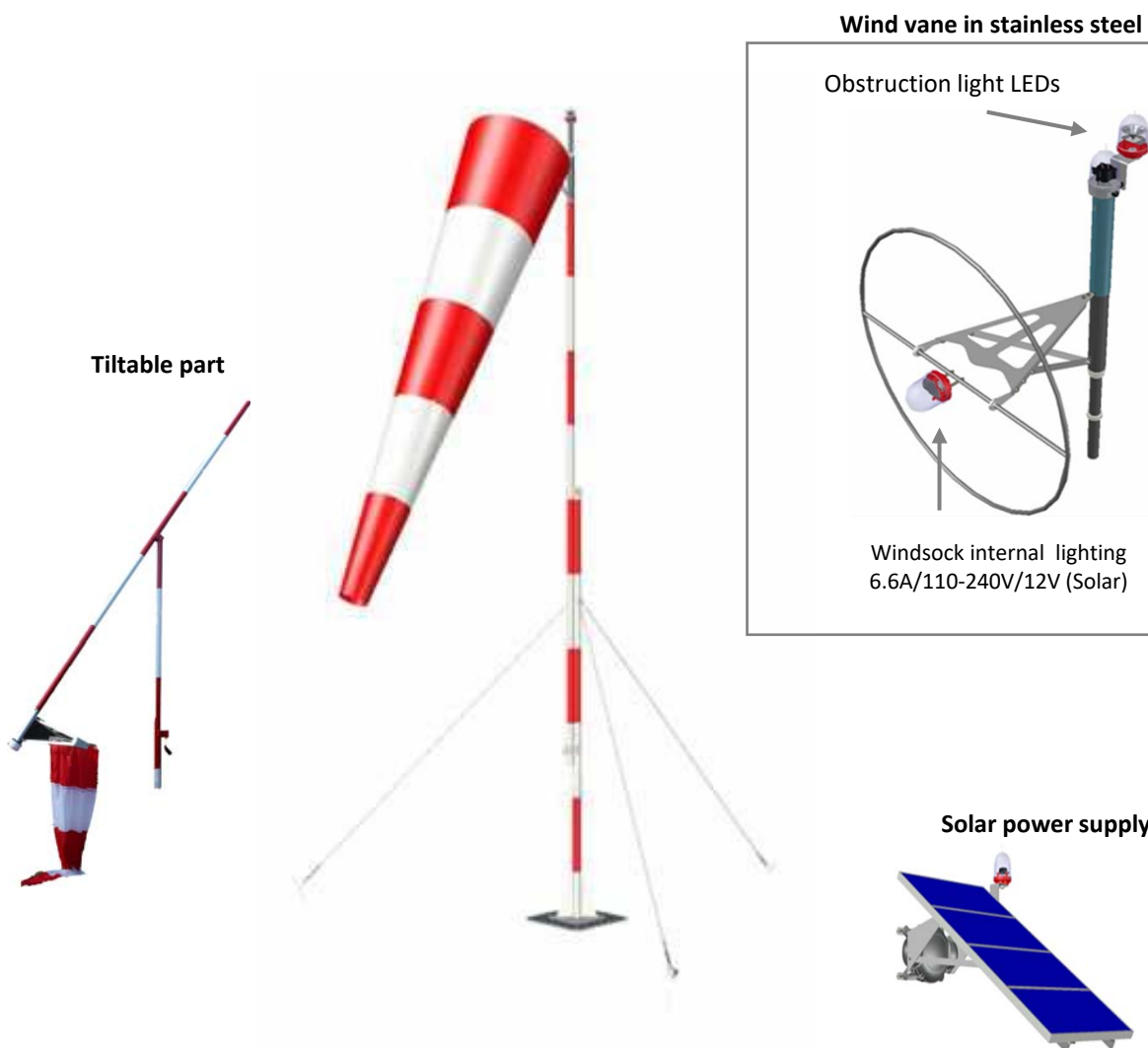


©INDELEC SA – 61 Chemin des postes DOUAI - Tel +33 327 944 952 - www.indelec.com

Non contractual document - INDELEC reserves the right to modify its product design, dimensions, weight as well as the illustrations without prior notice.

Indelec

7.40m Windsock Mast



Description:

The STNA mast is our ICAO compliant one. This tipping mast measure 7, 40 meters, equipped with 3 braces.

The standard wind vane are 60 cm or 100 cm diameter, others diameters are also available.

In option, the mast can be manufactured in stainless. A dedicated piece could be added for frangibility.

Several accessories are available, windsock internal lighting or top mast beaconing with solar or direct power supply (110-240V / 6.6A).

Models

Model	Designation	Wind vane diameter
STNABG60	STNA Mast	60 cm
STNABG100	STNA Mast	100 cm
STNABG60E2L	STNA Mast + windsock internal lighting 230V	60 cm
STNABG100E2L	STNA Mast + windsock internal lighting 230V	100 cm
STNABG60E6	STNA Mast + windsock internal lighting 6.6A	60 cm
STNABGE6	STNA Mast + windsock internal lighting 6.6A	100 cm
LBIA-HMA-6.6A	Low Intensity Light Type A Top Mast Beaconing 6.6A	-
LBIA-HMA-A230	Low Intensity Light Type A Top Mast Beaconing 230V	-

DOC125a.VEN-Rev0

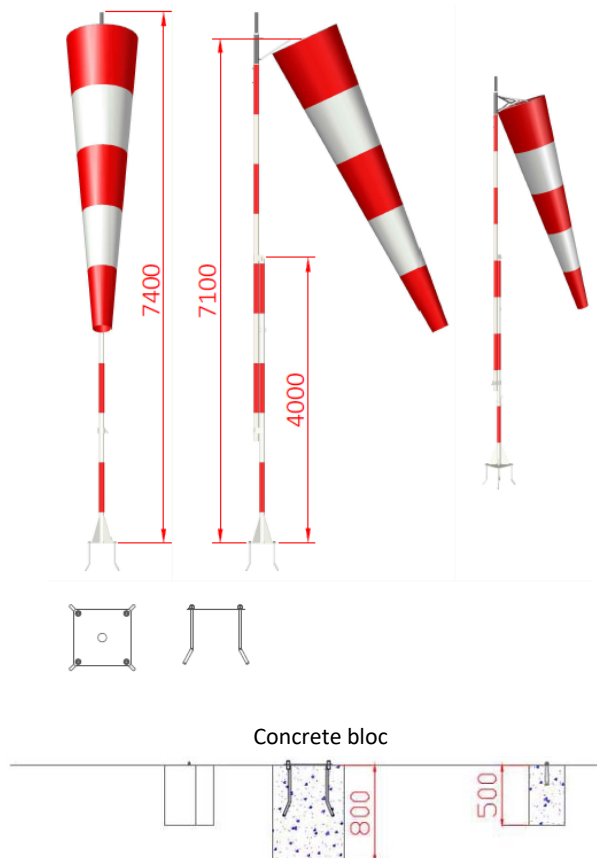


7.40m Windsock Mast

Characteristics

Mechanicals	
Height	7.40 meters
Tilttable part	Integrated
Protection	Galvanized steel
Paint	Red and white
Fixation	Plate of sealing (included)
Wind vane	Diameter 60 Diameter 100
Braces	3 x 120 cm
Concrete block	600 x 600 x 800 mm
Environment	
Humidity	100%
Frost	-60°C
Wind speed	240 Km/h
Certifications	
CE	EN60947-1 CEI60364, NF C 15-100 EN60529
ICAO	Annex 14, Volume I, Chapter 6
Quality	ISO 9001 ; 2008
Warranty	
	1 year
Options	
	Windsock internal lighting
	Top mast beaconing
	Frangibility of the mast
	Stainless steel manufacture
	Solar power supply

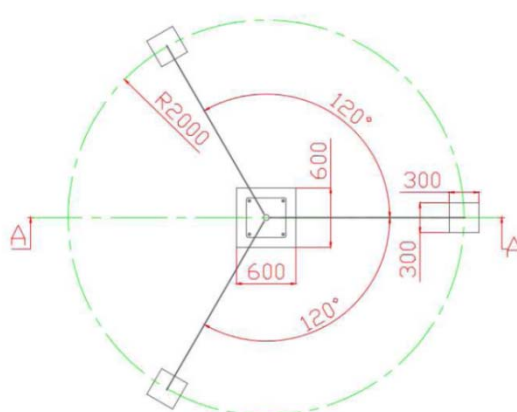
Dimensions :



Characteristics option top mast beaconing :

Luminous	
Luminous source	LEDs
Colour	Red
Horizontal beam	360°
Vertical beam	10°
Luminous intensity	>10 Cd
MTBF	100 000 Hours
Electrics	
Voltage	6.6A/230V/12V (solar)
Lightning protection	Integrated
Functioning temperature	-55°C up to +55°C
Consumption	<3 Watts
Protection class	IP66

Braces disposition



Available accessories for installation

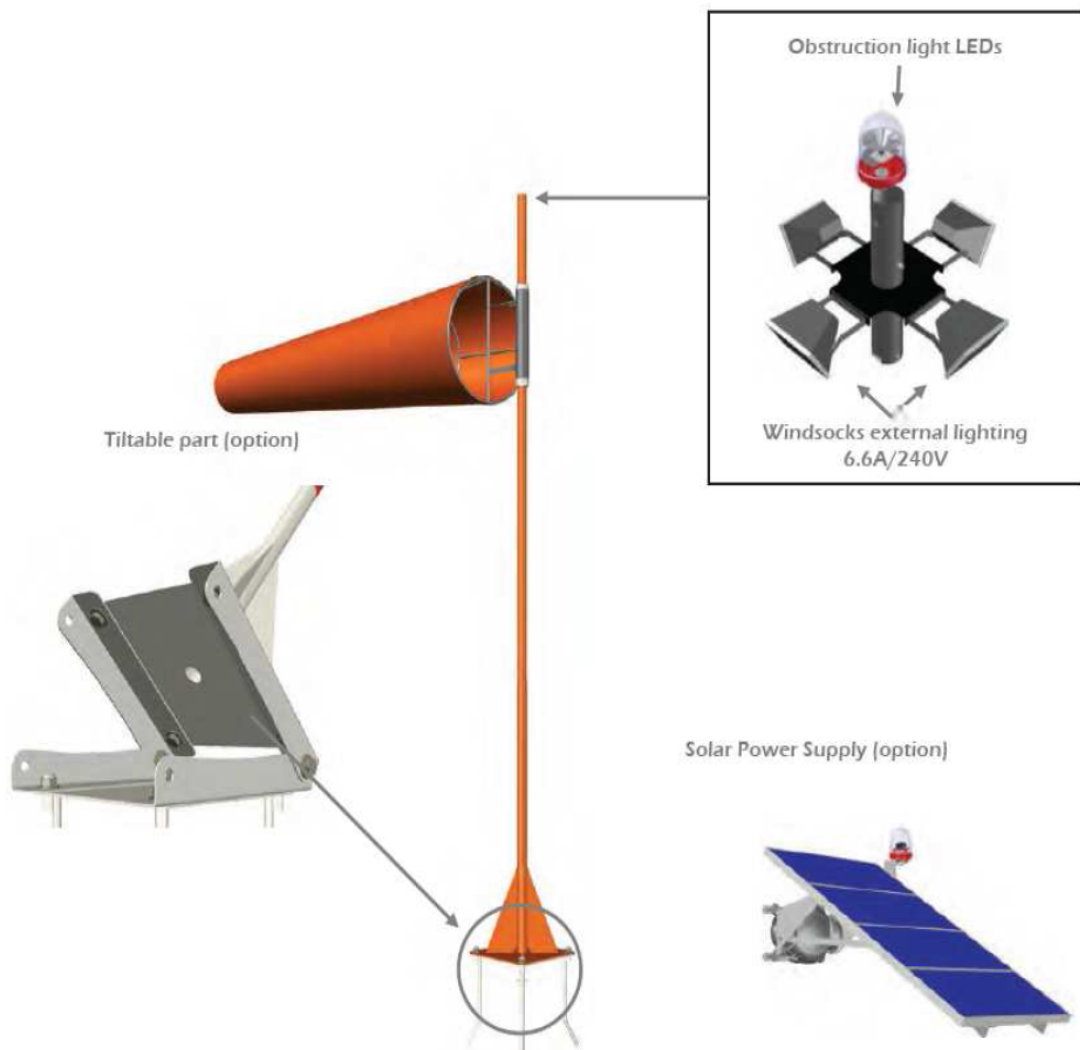
-Windstock

- Solar kit

DOC125a.VEN-Rev0



3m or 6m FAA Compliant Windsock Mast



Description:

Our FAA mast is compliant with FAA rules.

This mast is available in 3 or 6 meters and is provided with preformed wind vane.

In option, the mast could be painted in white or red.

Several options are available as windsocks, external lighting and top mast beaconing.

Models

Model	Win vane diameter	3 meters	6 meters
FAA3-30-G	30 cm	X	
FAA3-60-G	60 cm	X	
FAA3-90-G	90 cm	X	
FAA3-100-G	100 cm	X	
FAA6T-30-G	30 cm		X
FAA6T-60-G	60 cm		X
FAA6T-90-G	90 cm		X
FAA6T-100-G	100 cm		X

DOC123a.VEN-Rev0

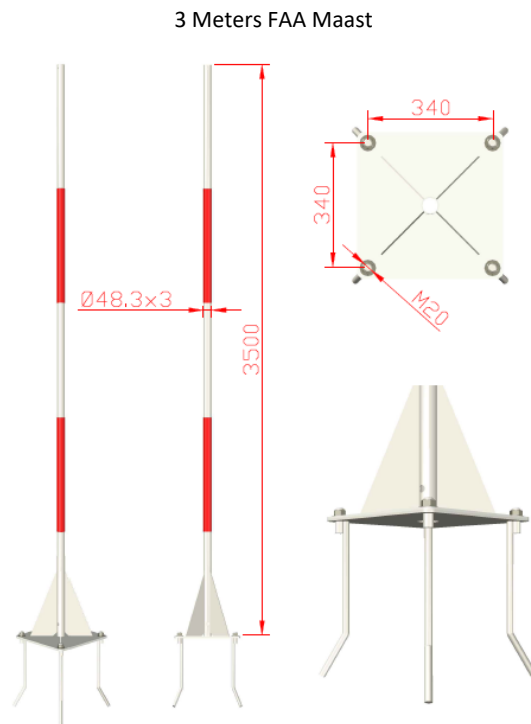


FAA Compliant Windsock Mast

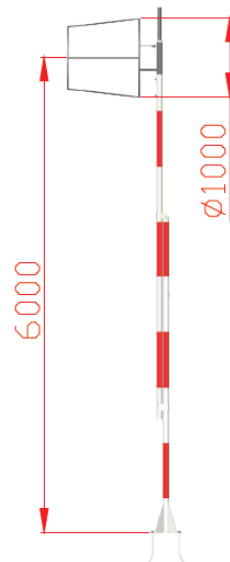
Characteristics

Mechanicals	
Height	3 or 6 meters
Tiltable part	In option for 3 meters
Protection	Galvanized steel
Paint	No paint
Fixation	Concrete block
Wind vane	30 / 60 / 90 / 100 cm
Braces	No
Concrete block	600 x 600 x 800 mm
Environment	
Humidity	100%
Frost	-60°C
Wind speed	240 Km/h
Certifications	
FAA	Compliant
Quality	ISO 9001 ; 2008
Warranty	1 year
Options	
	Specific plate for tiltable part
	Top mast beaconing
	Windsock external lighting with 4 halogen (240V or 6.6A)
	Painting
	Frangibility of the mast
	Solar power supply

Dimensions :



6 Meters FAA mast



Characteristics option top mast beaconing :

Luminous	
Luminous source	LEDs
Colour	Red
Horizontal beau	360°
Vertical beau	10°
Luminous intensity	>10 Cd
MTBF	100 000 Hours
Electrics	
Voltage	6.6A/230V/12V (solar)
Lightning protection	Integrated
Functioning temperature	-55°C up to +55°C
Consumption	<3 Watts
Protection class	IP66

Available accessories for installation

-Windsock

- Solar kit

DOC123a.VEN-Rev0



Windsock Mast



Description:

The simple mast is 4 meters and could be tiltable.

It is provided with its wind vane, braces (for fixed version) and mounting frame in "U".

Three diameters of wind vane and corresponding windsock are available.

Models

Model	Wind vane diameter (cm)	Tiltable	Fix
MASBG30	30	X	
MASBG40	40	X	
MASBG50	50	X	
MASFG30	30		X
MASFG40	40		X
MASFG50	50		X

Windsock Mast

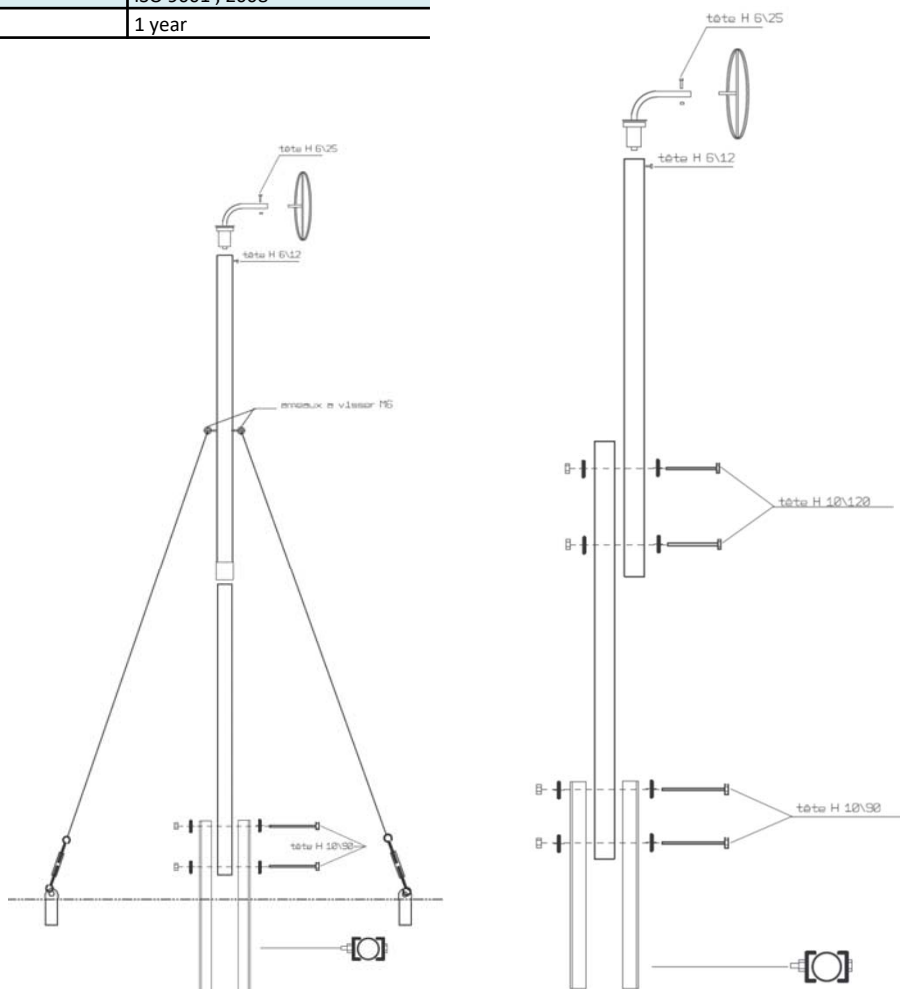
Characteristics

Mechanicals	
Height	4 meters
Tilttable part	Fixe or tilttable
Protection	Galvanized steel
Paint	White
Mounting	In "U"
Wind vane	Diameter 30 Diameter 40 Diameter 50
Braces (for fixe version)	3 x 120 cm
Concrete block	600 x 600 x 800 mm
Environment	
Humidity	100%
Frost	-60°C
Wind speed	240 Km/h
Certifications	
CE	EN60947-1 CEI60364, NF C15-100 EN60529
ICAO	Compliant
Quality	ISO 9001 ; 2008
Warranty	1 year

Available accessories for installation

-Windsock

Dimensions :



DOC124a.VEN-Rev0



©INDELEC SA – 61 Chemin des postes DOUAI - Tel +33 327 944 952 - www.indelec.com

Non contractual document - INDELEC reserves the right to modify its product design, dimensions, weight as well as the illustrations without prior notice.



Windsocks



Description:

Our windsocks are in compliance with the international civil aviation rules. The windsocks are manufactured in France with high quality fabric, qualified with 160g/m2. With a specific U.V. treatment the color is warranty.

They offer high resistance to the weather and to the sun.

The standard colors available are white, red, orange, yellow and black. Your logo could be added.

Models :

Characteristics

Windsocks	
Dye	Colourfast
Assembling	In 5 sections
Mounting	By synthetic clamp collars
Options	
	Specific dimensions
	Customization of the windsock (logo)
	Anti-rolled up system
	Specific colour

Model	Dimensions	Colour
DBM-SE-30-120-RB	30 x 120 cm	Red and white
DBM-SE-30-180-RB	30 x 180 cm	Red and white
DBM-SE-40-250-RB	40 x 250 cm	Red and white
DBM-SE-50-225-RB	50 x 225 cm	Red and white
DBM-SE-60-240-RB	60 x 240 cm	Red and white
DBM-SE-90-450-RB	90 x 450 cm	Red and white
DBM-SE-100-450-RB	100 x 450 cm	Red and white
DBM-SE-30-120-OR	30 x 120 cm	Orange
DBM-SE-30-180-OR	30 x 180 cm	Orange
DBM-SE-40-250-OR	40 x 250 cm	Orange
DBM-SE-50-225-OR	50 X 225 cm	Orange
DBM-SE-60-240-OR	60 x 240 cm	Orange
DBM-SE-90-450-OR	90 x 450 cm	Orange
DFBM-SE-100-450-OR	100 x 450 cm	Orange