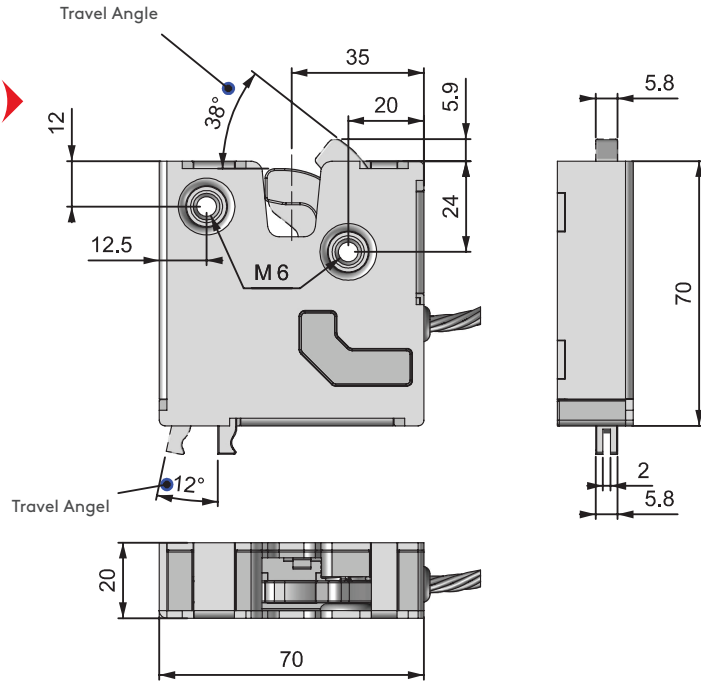
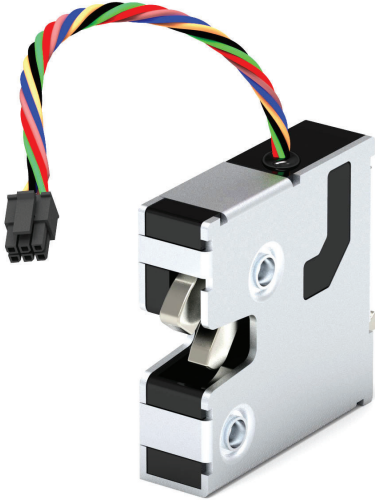


ELECTRONIC ROTARY LATCH

3331



- Push to Close
- Mechanical override
- Stainless steel cam and trigger
- Integrated microswitch for lock status
- Microprocessor controlled gear motor
- Compatible with access control systems

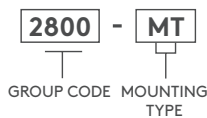
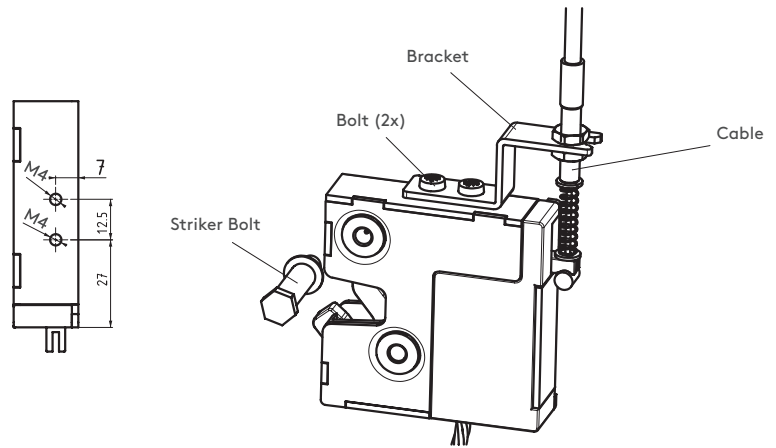
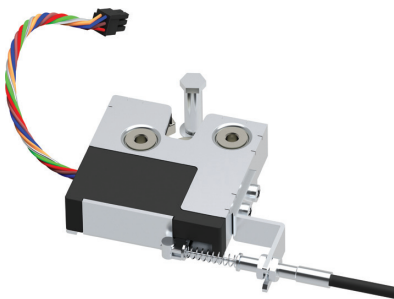
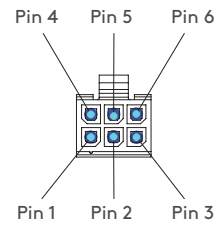
MATERIALS

BODY: Steel and PA6 GFR 30
CAM: Stainless Steel

TECHNICAL SPECIFICATIONS

Operating Voltage : 9 - 24 Volt
Cable Length : 150 mm
Current : Max 500 MA

PIN	COLOR	VALUE
Pin 1	Black	GND
Pin 2	Green	12 Volt DC
Pin 3	Orange	Signal
Pin 4	Red	Microswitch COM
Pin 5	Blue	Microswitch NO
Pin 6	Brown	Microswitch NC

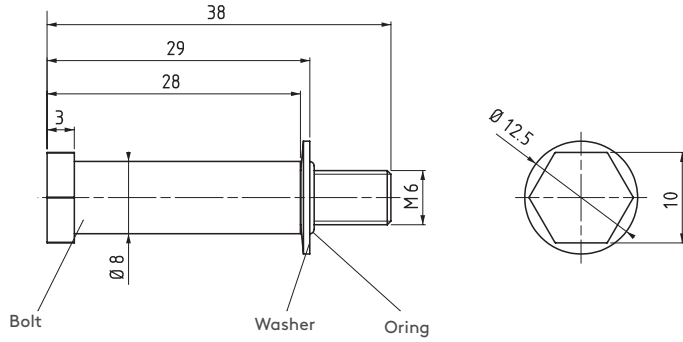


MOUNTING TYPE	MT
Ø7,2	1
M6	2
1/4"	3



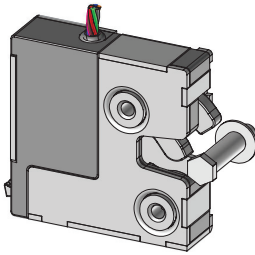
SB.4

STRIKER BOLT

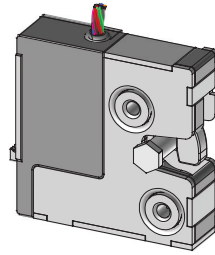


MATERIAL
BODY: Steel

FINISH
Zinc Plated



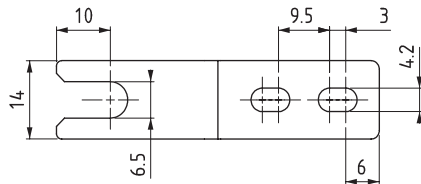
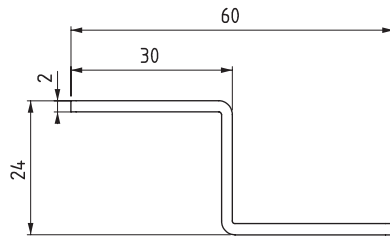
Unlocked position



Locked position

321.03.068

CABLE MOUNTING BRACKET



MATERIAL
BODY: Steel

FINISH
Zinc Plated

For cables & accessories check page: 158-159

For locks check page: 192 - 271