

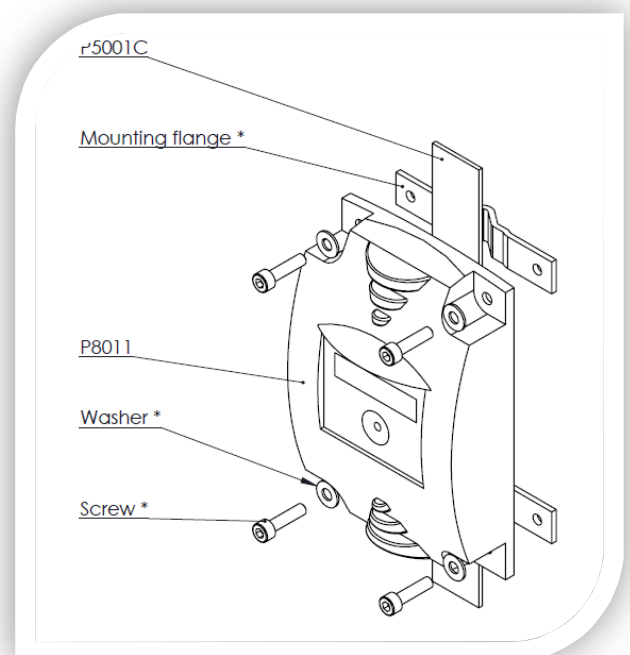
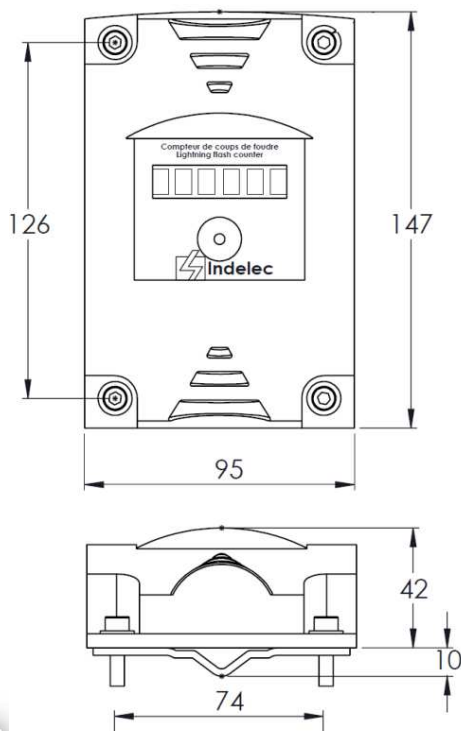
Digital lightning flash counter

Reference	P8011	
Characteristics		
Minimal detectable current 10/350µs	$I_{imp\ min}$	2 kA
Maximal detectable current 10/350µs	$I_{imp\ max}$	100 kA
Threshold current test	$I_{imp\ min}/2$	1 kA
Degree of Protection	IP	67
Net Weight	W	0.700 kg
Classification	LSC Type 1	
Operating principles		
Display	Digital	
Digits	6	
Recording	By induction while lightning current pass through down conductor	
On-site testing capabilities	Proprietary tester ref. P8015	
Maintenance	Battery replacement kit P8017A	
Warranty	18 months	
Mechanical specifications		
Down conductor fixing	Specific clamp (included)	
Certifications		
EN 62561-6 Ed 2 Standard	Attestation N°IND-62561-6-20062016 B	



Lightning Counter Tester
Ref P8015

Dimensions (mm)



Application

DOC225a_VEN-Rev1

