

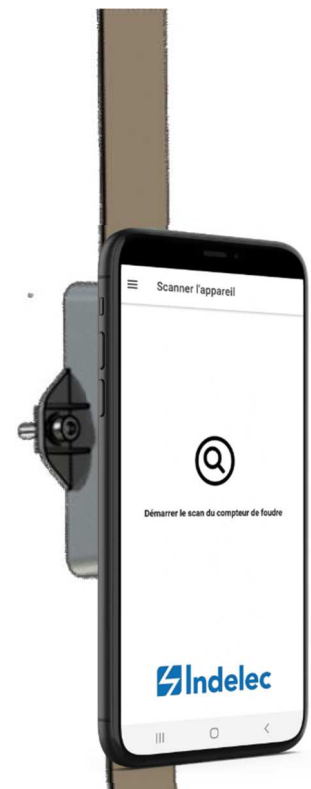
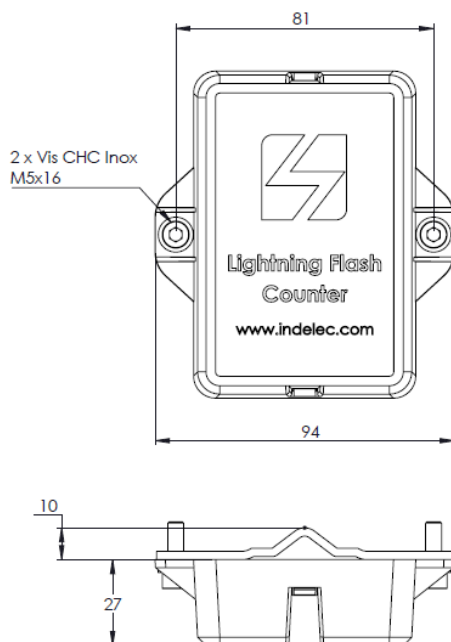
RFID Lightning Flash Counter – Type I

Reference	P8050	
Characteristics		
Minimal detectable current 10/350µs	$I_{imp\ min}$	2 kA
Maximal detectable current 10/350µs	$I_{imp\ max}$	100 kA
Threshold current test	$I_{imp\ min}/2$	1 kA
Degree of Protection	IP	43
Net Weight	W	0.200 kg
Classification	LSC Type 1	
Temperature Range	T	- 20°C ≤ T ≤ +85°C
Humidity	RH	0% ≤ HR ≤ 100%
Maximal altitude (Height Above Sea Level)	HASL	≤ 4000 m
Operating principles		
Reader Application (Android)	RFID Lightning Counter Reader	
Digits	2	
Recording	By induction while lightning current pass through down conductor	
Maintenance	Not required : no battery	
Warranty	18 months	
Mechanical specifications		
Down conductor fixing	Specific clamp (included)	
Certifications		
EN 62561-6 Ed 2 Standard	Certificate LER-20-077-RE	

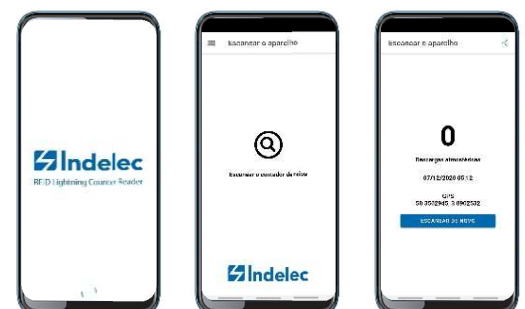


RFID Lightning Flash Counter
Ref P8050

Dimensions (mm)



Application



DOC275a.VEN-Rev1

